

Exceed your expectations

Mitsubishi's Magnetic Contactors and Magnetic Starters, continuously pushing the boundaries.



MS-T Series

Mitsubishi Magnetic Contactors and Magnetic Starters

⚠ Safety Warning

To ensure proper use of the products listed in this catalog, please be sure to read the instruction manual prior to use.

Mitsubishi Electric Corporation Nagoya Works is a factory certified for ISO14001 (standards for environmental management systems) and ISO9001(standards for quality assurance management systems)



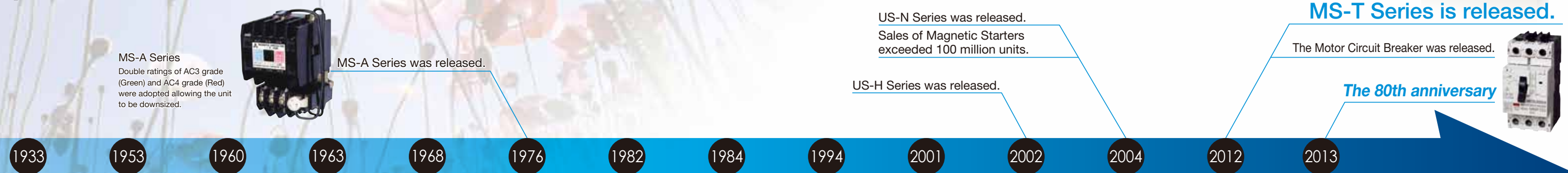

for a greener tomorrow

Eco Changes is the Mitsubishi Electric Group's environmental statement, and expresses the Group's stance on environmental management. Through a wide range of businesses, we are helping contribute to the realization of a sustainable society.

MITSUBISHI ELECTRIC CORPORATION
HEAD OFFICE: TOKYO BLDG., 2-7-3, MARUNOUCHI, CHIYODA-KU, TOKYO 100-8310, JAPAN
www.MitsubishiElectric.co.jp/melfansweb

Mitsubishi's Magnetic Contactors and Magnetic Starters continue to push the boundaries.

Mitsubishi Electric began making Magnetic Contactors and Magnetic Starters in 1933 with the first EC Series products. Since then consecutive new products and series have been highly appreciated by our customers. Our commitment to our customers remains to continuously develop our products to exceed their expectations.



Meeting your needs	4
MS-T Series Introduction	6
Features of MS-T Series	6
List of Produced Models	10
Selection and Application	12
Specification List Table	12
Short-circuit coordination	13
Electrical Durability Curve	13
Operation coil rating	13
Contact Reliability	14
Application to Thermal Overload Relays	15
Specification List	15
Selection Table	16
Precautions for Use	16
Operating Characteristic Curve	17
Product Introduction	18
Magnetic Starters	18
Magnetic Contactors	19
Thermal Overload Relays	20
Contactor Relays	21
Optional Units	23
International Standard	28
Type Codes	32
Order Procedure	34
Outline Drawing	36
Warranty and Safety	44
Information of Our FA-related Products	50

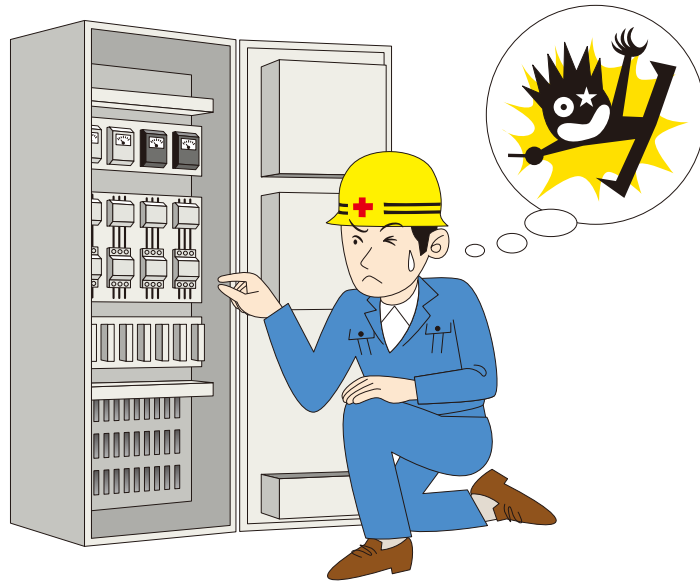
Desire to
down-size the
switchboard



Desire to
reduce the types
and stock of
switchboard
parts



Desire to
prevent
accidents such
as electric
shock



Do these
requirements
sound familiar?

The new MS-T Series can help you
solve these issues.



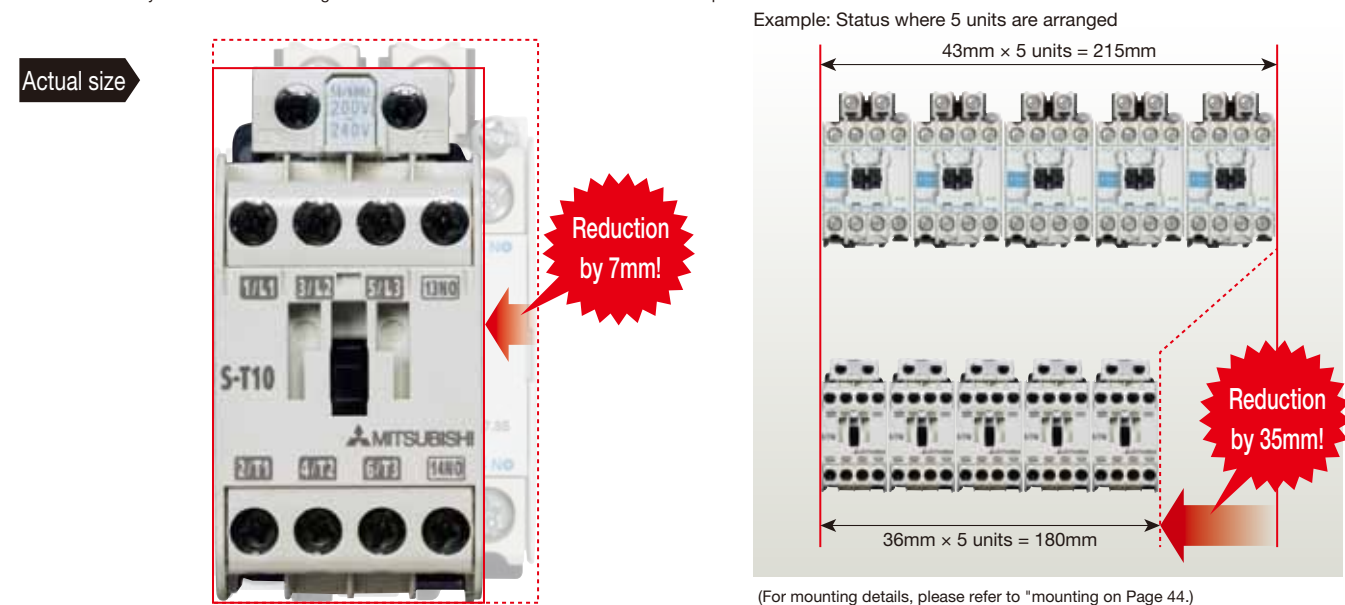
- Small Down-sizing
- Standardization Standardization
- Safety & Quality Safety & Quality
- Smart Wiring Smart Wiring
- Global Standard Global Standard

Down-sizing Small

10A frame model is over 16% smaller with a width of just 36mm!!

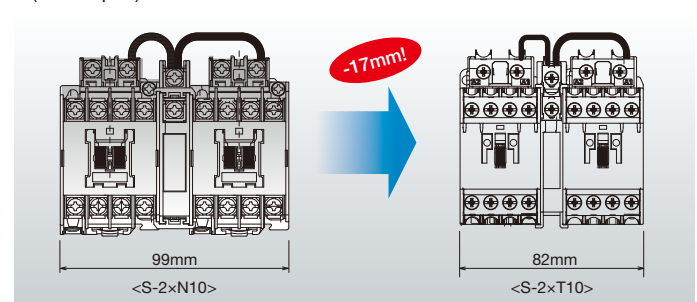
There is a saying that "every bit helps" and now with the industries smallest* general purpose Magnetic Contactor in its class, customers are able to more easily down-size their boards than ever before.

*based on a survey of 10A frame class Magnetic Contactors conducted for Mitsubishi Electric September 2012



Frame size		11A	13A		20A	25A
Traditional MS-N Series	Front view					
		S-N10	S-N11 (Auxiliary 1-pole)	S-N12 (Auxiliary 2-pole)	S-N20	S-N25
New slimline MS-T Series	Front view					
		S-T10	S-T12 (Auxiliary 2-pole)	S-T20	S-T25	

(Example)



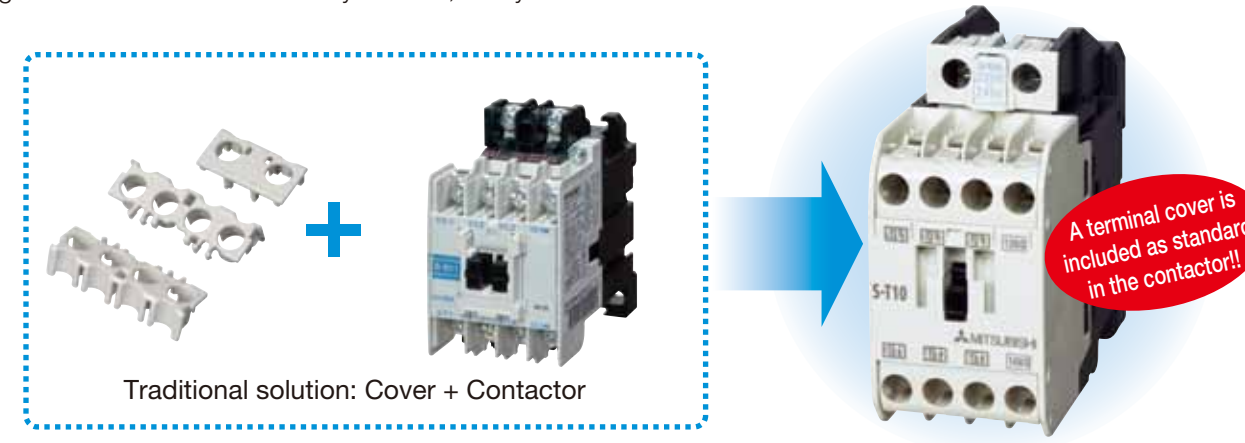
Slimline Reversing type

The new slimline design has also been applied to the mechanical interlocks used to create Reversing Magnetic Contactor configurations, helping to save even more switchboard panel space.

Standardization Standardization

New integrated terminal covers

The perennial issues of remembering to order the terminal covers, fitting them correctly or loosing them in the process are challenges of the past. The integrated terminal cover system means they are always there, on the Magnetic Contactor or its Auxiliary contact, ready to be used.



Reduce your coil inventory by up to 50%

The new ST series has new wide range operating coils which mean 50% fewer variations are required to span the 24-550V voltage range compared to the previous SN series. This means a smaller stock burden for those users who hold main stock or spare parts.

Coil designation	Rated voltage [V]	
	50Hz	60Hz
AC12V	12	12
AC24V	24	24
AC48V	48—50	48—50
AC100V	100	100—110
AC120V	110—120	115—120
AC127V	125—127	127
AC200V	200	200—220
AC220V	208—220	220
AC230V	220—240	230—240
AC260V	240—260	260—280
AC380V	346—380	380
AC400V	380—415	400—440
AC440V	415—440	460—480
AC500V	500	500—550

Coil designation	Rated voltage [V]
	50Hz/60Hz
AC24V	24
AC48V	48—50
AC100V	100—127
AC200V	200—240
AC300V	260—300
AC400V	380—440
AC500V	460—550

* 12VAC type is an order-made product.

A tough product for tough environments - as standard

Tropicalization treatment, anti-corrosion treatment and low temperature-response capabilities are now standard in the S-T type Magnetic Contactor range, so our customers do not need to worry about which version they are ordering. (note MSO-T and TH-T Magnetic Starters and thermal overloads have anti-corrosive treatment only)

MS-T Series Introduction | Selection and Application | Application to Thermal Overload Relay | Product Introduction | Overseas Standard | Type Codes | Order Procedure | Outline Drawing | Warranty and Safety

Safety & Quality

Safety & Quality

No touch safety

The integrated terminal covers offer various benefits not to mention added protection against electric shock through secure finger protection. This is available not only on Magnetic Contactors but also Thermal Overload relays, Contactor relays and Auxiliary Contact Units.

MS-T Series complies with DIN EN 50274/VDE 0660 Teil 514 for "Finger safe (prevention of finger contact)"



A light touch

The MS-T Series' auxiliary contacts can operate with load as light as 20V 3mA making it suitable for direct control/operation from a PLC output.



Smart wiring

Smart Wiring

Smart design means Smart wiring

The integrated terminal covers have an additional benefit in that they act as a guide to improve wiring efficiency but also retain the terminal screw in place: no mislaying the screw, no dropping it or having trouble reinserting it in to the terminal block just fast efficient wiring. Fast wiring terminals (model name with suffix "BC") are also available to further improve wiring efficiency, workability and hence productivity.

Easy wiring!



① Screw holder lifts up the screw.

② Insert a ring crimp lug

③ Tighten the screw

Easy branch circuit wiring with Manual Motor Circuit Breaker and optional connection conductor unit

Easy wiring is available for the new MS-T Series by using the Manual Motor Circuit Breaker and optional connection conductor unit, contributing your productivity improvement.



Global Standard

Global Standard

Your confidence: Certified

Many customers are engaged in business which can mean them exporting to countries around the world and therefore having to comply with those local standards. The MS-T Series is certified to the highest international levels while work is ongoing to gain other country and shipping standards to help put your "mind at rest".

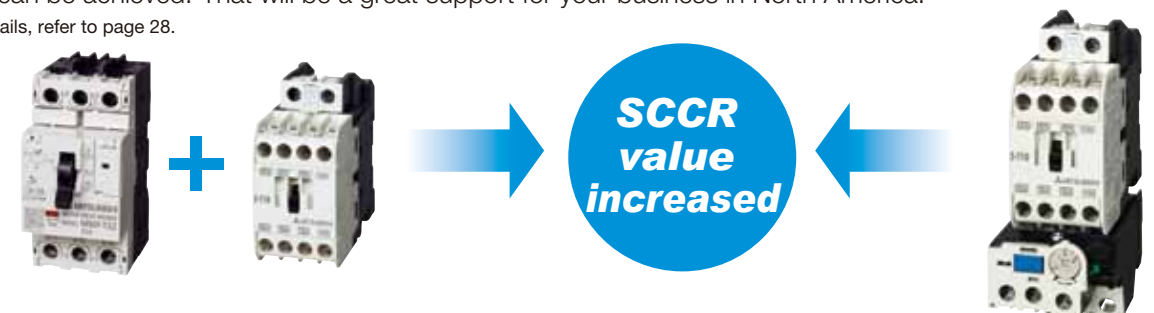
Standards	Applicable standard				Safety certification standard
	International	Japan	European countries	China	U.S. & Canada
IEC ^{Note}	JIS	EN EC directive	Certificate authority TÜV Rheinland	GB	cULus

Note : Also compliant with the requirements for mirror contacts comply with IEC60947-4-1 Annex F.

Higher SCCR value achieved by using with Manual Motor Circuit Breaker

When the MMP-T Series and the MS-T Series are used together, the higher SCCR (UL short-circuit current rating) value, can be achieved. That will be a great support for your business in North America.

* For details, refer to page 28.



List of Produced Models

Magnetic Starters/Magnetic Contactors (NonReversing)

Frame	New release												N10	N11	N12	N18	N20	N21	N25	N35	N50	N65	N80	N95	N125	N150	N180	N220	N300	N400	N600	N800						
	T10	T12	T20	T21	T25	T32																																
Category AC-3	220V	2.5	3.5	4.5	5.5	7.5	7.5	2.5	3.5	3.5	4.5	5.5	5.5	7.5	11	15	18.5	22	30	37	45	55	60	75	90	132	160	220	330	440								
Rated capacity [kW]	440V	4	5.5	7.5	11	15	15	4	5.5	5.5	7.5	11	11	15	18.5	22	30	45	55	60	75	90	132	160	220	330	440											
Auxiliary contact	Standard	1a	1a1b	1a1b	2a2b	2a2b	-	1a	1a	1a1b	-	1a1b	-	2a	-	-	-	-	-	-	-	-	-	-	-	-	-	-	-	-	-							
Model Name	(Note 4)	Special	1b	2a,2b	2a	-	-	1b	1b	2a,2b	-	2a	-	-	-	-	-	-	-	-	-	-	-	-	-	-	-	-	-	-	-							
Magnetic Starters	Enclosed	Standard MS-□	◇	◇	◇	◇	◇	◇	◇	◇	◇	◇	◇	◇	◇	◇	◇	◇	◇	◇	◇	◇	◇	◇	◇	◇	◇	◇	◇	◇	◇	◇						
		With push button MS-□PM	◇	◇	◇	◇	◇	◇	◇	◇	◇	◇	◇	◇	◇	◇	◇	◇	◇	◇	◇	◇	◇	◇	◇	◇	◇	◇	◇	◇	◇	◇	◇					
		3-element type MS-□KP	◇	◇	◇	◇	◇	◇	◇	◇	◇	◇	◇	◇	◇	◇	◇	◇	◇	◇	◇	◇	◇	◇	◇	◇	◇	◇	◇	◇	◇	◇	◇	◇				
		Quick motion type MS-□QM	◇	◇	◇	◇	◇	◇	◇	◇	◇	◇	◇	◇	◇	◇	◇	◇	◇	◇	◇	◇	◇	◇	◇	◇	◇	◇	◇	◇	◇	◇	◇	◇				
		Standard MSO-□	◇	◇	◇	◇	◇	◇	◇	◇	◇	◇	◇	◇	◇	◇	◇	◇	◇	◇	◇	◇	◇	◇	◇	◇	◇	◇	◇	◇	◇	◇	◇	◇				
	Open type	DC operated type MSOD-□	◇	◇	◇	◇	◇	◇	◇	◇	◇	◇	◇	◇	◇	◇	◇	◇	◇	◇	◇	◇	◇	◇	◇	◇	◇	◇	◇	◇	◇	◇	◇	◇				
		Delay trip type MSO-□SR	◇	◇	◇	◇	◇	◇	◇	◇	◇	◇	◇	◇	◇	◇	◇	◇	◇	◇	◇	◇	◇	◇	◇	◇	◇	◇	◇	◇	◇	◇	◇	◇				
		Quick trip type MSO-□FS	◇	◇	◇	◇	◇	◇	◇	◇	◇	◇	◇	◇	◇	◇	◇	◇	◇	◇	◇	◇	◇	◇	◇	◇	◇	◇	◇	◇	◇	◇	◇	◇	◇			
		3-element type MSO-□KP	◇	◇	◇	◇	◇	◇	◇	◇	◇	◇	◇	◇	◇	◇	◇	◇	◇	◇	◇	◇	◇	◇	◇	◇	◇	◇	◇	◇	◇	◇	◇	◇	◇			
		3-element delay trip type MSO-□KPSR	◇	◇	◇	◇	◇	◇	◇	◇	◇	◇	◇	◇	◇	◇	◇	◇	◇	◇	◇	◇	◇	◇	◇	◇	◇	◇	◇	◇	◇	◇	◇	◇	◇			
		3-element quick trip type MSO-□FSKP	◇	◇	◇	◇	◇	◇	◇	◇	◇	◇	◇	◇	◇	◇	◇	◇	◇	◇	◇	◇	◇	◇	◇	◇	◇	◇	◇	◇	◇	◇	◇	◇	◇	◇		
		3-element quick trip type MSO-□KF	◇	◇	◇	◇	◇	◇	◇	◇	◇	◇	◇	◇	◇	◇	◇	◇	◇	◇	◇	◇	◇	◇	◇	◇	◇	◇	◇	◇	◇	◇	◇	◇	◇			
		Quick motion type MSO-□QM	◇	◇	◇	◇	◇	◇	◇	◇	◇	◇	◇	◇	◇	◇	◇	◇	◇	◇	◇	◇	◇	◇	◇	◇	◇	◇	◇	◇	◇	◇	◇	◇	◇	◇		
		Mechanically latched type MSOL-□	◇	◇	◇	◇	◇	◇	◇	◇	◇	◇	◇	◇	◇	◇	◇	◇	◇	◇	◇	◇	◇	◇	◇	◇	◇	◇	◇	◇	◇	◇	◇	◇	◇	◇		
		Delay open type MSO-□DL	◇	◇	◇	◇	◇	◇	◇	◇	◇	◇	◇	◇	◇	◇	◇	◇	◇	◇	◇	◇	◇	◇	◇	◇	◇	◇	◇	◇	◇	◇	◇	◇	◇	◇		
With terminal cover MSO-□CX (Note 3)	◇	◇	◇	◇	◇	◇	◇	◇	◇	◇	◇	◇	◇	◇	◇	◇	◇	◇	◇	◇	◇	◇	◇	◇	◇	◇	◇	◇	◇	◇	◇	◇	◇	◇				
With fast wiring terminal MSO-□BC	◇	◇	◇	◇	◇	◇	◇	◇	◇	◇	◇	◇	◇	◇	◇	◇	◇	◇	◇	◇	◇	◇	◇	◇	◇	◇	◇	◇	◇	◇	◇	◇	◇	◇	◇			
Magnetic Contactors	Open type	Standard S-□	◇	◇	◇	◇	◇	◇	◇	◇	◇	◇	◇	◇	◇	◇	◇	◇	◇	◇	◇	◇	◇	◇	◇	◇	◇	◇	◇	◇	◇	◇	◇	◇				
		DC operated type SD-□	◇	◇	◇	◇	◇	◇	◇	◇	◇	◇	◇	◇	◇	◇	◇	◇	◇	◇	◇	◇	◇	◇	◇	◇	◇	◇	◇	◇	◇	◇	◇	◇	◇			
		Mechanically latched type SL-□	◇	◇	◇	◇	◇	◇	◇	◇	◇	◇	◇	◇	◇	◇	◇	◇	◇	◇	◇	◇	◇	◇	◇	◇	◇	◇	◇	◇	◇	◇	◇	◇	◇	◇		
		With surge absorber S-□SA (Note 2)	◇	◇	◇	◇	◇	◇	◇	◇	◇	◇	◇	◇	◇	◇	◇	◇	◇	◇	◇	◇	◇	◇	◇	◇	◇	◇	◇	◇	◇	◇	◇	◇	◇	◇	◇	
		With surge absorber SD-□SA	◇	◇	◇	◇	◇	◇	◇	◇	◇	◇	◇	◇	◇	◇	◇	◇	◇	◇	◇	◇	◇	◇	◇	◇	◇	◇	◇	◇	◇	◇	◇	◇	◇	◇	◇	
		Quick motion type S-□QM	◇	◇	◇	◇	◇	◇	◇	◇	◇	◇	◇	◇	◇	◇	◇	◇	◇	◇	◇	◇	◇	◇	◇	◇	◇	◇	◇	◇	◇	◇	◇	◇	◇	◇	◇	◇
		With terminal cover S-□CX (Note 3)	◇	◇	◇	◇	◇	◇	◇	◇	◇	◇	◇	◇	◇	◇	◇	◇	◇	◇	◇	◇	◇	◇	◇	◇	◇	◇	◇	◇	◇	◇	◇	◇	◇	◇	◇	
With fast wiring terminal S-□BC	◇	◇	◇	◇	◇	◇	◇	◇	◇	◇	◇	◇	◇	◇	◇	◇	◇	◇	◇	◇	◇	◇	◇	◇	◇	◇	◇	◇	◇	◇	◇	◇	◇	◇	◇	◇		
Delay open type S-□DL	◇	◇	◇	◇	◇	◇	◇	◇	◇	◇	◇	◇	◇	◇	◇	◇	◇	◇	◇	◇	◇	◇	◇	◇	◇	◇	◇	◇	◇	◇	◇	◇	◇	◇	◇	◇		

Note 1: ◇ : Already released. ◇ : To be released in the future. - : No plan to be released.
 Note 2: S-□SA type is a surge absorber-installed type. Alternate current operation coils of N50 to N800 types with surge absorption function contained do not generate coil open/close surge, so that a surge absorber for coil is not required.
 Note 3: Magnetic Contactors and Thermal Overload Relays in MSO/S-N50CX and N65CX are provided with a terminal cover.
 Note 4: The auxiliary contact arrangements for mechanical latch type and delay release type are different. For details, please refer to the Catalog for MS-N.

Magnetic Starters/Magnetic Contactors (Reversing)

Frame	New release												N10	N11	N18	N20	N21	N25	N35	N50	N65	N80	N95	N125	N150	N180	N220	N300	N400	N600	N800							
	2x T10	2x T12	2x T20	2x T21	2x T25	2x T32																																
Category AC-3	220V	2.5	3.5	4.5	5.5	7.5	7.5	2.5	3.5	4.5	5.5	5.5	7.5	11	15	18.5	22	30	37	45	55	60	75	90	132	160	220	330	440									
Rated capacity [kW]	440V	4	5.5	7.5	11	15	15	4	5.5	7.5	11	11	15	18.5	22	30	45	55	60	75	90	132	160	220	330	440												
Auxiliary contact	Standard	(1a)2	(1a1b)2	(1a1b)2	2a2b	2a2b	-	(1a)2	(1a)2	2a2b	1a1b	-	-	-	-	-	-	-	-	-	-	-	-	-	-	-	-	-	-	-	-	-	-					
Model Name	(Notes 4 to 6)	Special	(1b)2	(2a)2	-	-	-	(1b)2	(1a)2	-	-	-	-	-	-	-	-	-	-	-	-	-	-	-	-	-	-	-	-	-	-	-	-					
Magnetic Starters	Enclosed	Standard MS-□	◇	◇	◇	◇	◇	◇	◇	◇	◇	◇	◇	◇	◇	◇	◇	◇	◇	◇	◇	◇	◇	◇	◇	◇	◇	◇	◇	◇	◇	◇	◇	◇				
		3-element type MS-□KP	◇	◇	◇	◇	◇	◇	◇	◇	◇	◇	◇	◇	◇	◇	◇	◇	◇	◇	◇	◇	◇	◇	◇	◇	◇	◇	◇	◇	◇	◇	◇	◇	◇	◇		
		Standard MSO-□	◇	◇	◇	◇	◇	◇	◇	◇	◇	◇	◇	◇	◇	◇	◇	◇	◇	◇	◇	◇	◇	◇	◇	◇	◇	◇	◇	◇	◇	◇	◇	◇	◇	◇	◇	
		DC operated type MSOD-□	◇	◇	◇	◇	◇	◇	◇	◇	◇	◇	◇	◇	◇	◇	◇	◇	◇	◇	◇	◇	◇	◇	◇	◇	◇	◇	◇	◇	◇	◇	◇	◇	◇	◇	◇	
		Delay trip type MSO-□SR	◇	◇	◇	◇	◇	◇	◇	◇	◇	◇	◇	◇	◇	◇	◇	◇	◇	◇	◇	◇	◇	◇	◇	◇	◇	◇	◇	◇	◇	◇	◇	◇	◇	◇	◇	◇
	Open type	3-element MSO-□FSKP	◇	◇	◇	◇	◇	◇	◇	◇	◇	◇	◇	◇	◇	◇	◇	◇	◇	◇	◇	◇	◇	◇	◇	◇	◇	◇	◇	◇	◇	◇	◇	◇	◇	◇	◇	
		3-element quick trip type MSO-□KF	◇	◇	◇	◇	◇	◇	◇	◇	◇	◇	◇	◇	◇	◇	◇	◇	◇	◇	◇	◇	◇	◇	◇	◇	◇	◇	◇	◇	◇	◇	◇	◇	◇	◇	◇	
		3-element type MSO-□KP	◇	◇	◇	◇	◇	◇	◇	◇	◇	◇	◇	◇	◇	◇	◇	◇	◇	◇	◇	◇	◇	◇	◇	◇	◇	◇	◇	◇	◇	◇	◇	◇	◇	◇	◇	◇
		With terminal cover MSO-□CX (Note 3)	◇	◇	◇	◇	◇	◇	◇	◇	◇	◇	◇	◇	◇	◇	◇	◇	◇	◇	◇	◇	◇	◇	◇	◇	◇	◇	◇	◇	◇	◇	◇	◇	◇	◇	◇	◇
		With fast wiring terminal MSO-□BC	◇	◇	◇																																	

Specification List Table

Magnetic Starters/Magnetic Contactors

Frame		T10	T12	T20	T21	T25	T32		
Applicable standard		IEC60947-4-1, EN60947-4-1, JIS C8201-4-1							
Model name	Magnetic Contactors (Without Thermal Overload Relays, Open type)	Non-Reversing	S-T10	S-T12	S-T20	S-T21	S-T25	S-T32	
		Reversing	S-2xT10	S-2xT12	S-2xT20	S-2xT21	S-2xT25	S-2xT32	
	Magnetic Starters (With standard 2-element, With Thermal Overload Relays)	Open type	Non-Reversing	MSO-T10	MSO-T12	MSO-T20	MSO-T21	MSO-T25	-
		Reversing	MSO-2xT10	MSO-2xT12	MSO-2xT20	MSO-2xT21	MSO-2xT25	-	
Main contact rating	Magnetic Starters (With 3-element type Thermal Overload Relays)	Combined Thermal Overload Relays	TH-T18			TH-T25		-	
		Open type	Non-Reversing	MSO-T10KP	MSO-T12KP	MSO-T20KP	MSO-T21KP	MSO-T25KP	-
		Reversing	MSO-2xT10KP	MSO-2xT12KP	MSO-2xT20KP	MSO-2xT21KP	MSO-2xT25KP	-	
		Combined Thermal Overload Relays	TH-T18KP			TH-T25KP		-	
Rated insulation voltage [V]		690							
Rated impulse withstand voltage [kV]		6							
Rated frequency [Hz]		50/60							
Pollution degree		3							
Main contact rating	Category AC-3 (Three-phase squirrel-cage motor load standard responsibility) (Note 1) [kW/A]	220 to 240VAC	2.5/11	3.5/13	4.5/18	5.5/25	7.5/30(7.5/26)	7.5/32	
		380 to 440VAC	4/9	5.5/12	7.5/18	11/23	15/30(15/26)	15/32	
	500VAC	4/7	5.5/9	7.5/17	11/17	15/24	15/24		
		690VAC	4/5	5.5/7	7.5/9	7.5/9	11/12	11/12	
	Category AC-4 (Three-phase squirrel-cage motor load inching responsibility) [kW/A]	220 to 240VAC	1.5/8	2.2/11	3.7/18	3.7/18	4.5/20	5.5/26	
		380 to 440VAC	2.2/6	4/9	5.5/13	5.5/13	7.5/17	11/24	
	500VAC	2.7/6	5.5/9	5.5/10	5.5/10	7.5/12	7.5/13		
		Category AC-1 (Resistance, heater load)	100 to 240VAC	20	20	20	32	32	32
	380 to 440VAC	11	13	13	32	32	32		
		Conventional free air thermal current Ith [A]	20	20	20	32	32	32	
Auxiliary contact rating	Contact arrangement	Standard accessory	Non-Reversing	1a	1a1b	2a2b		-	
			Reversing (Note 3, Note 5)	1a x 2 + 2b	1a1b x 2 + 2b	2a2b x 2		-	
		Special accessory	Non-Reversing	1b	2a		-	-	
			Reversing (Note 3, Note 5)	1b x 2 + 2b	2a x 2 + 2b		-	-	
	Max. number of additional options (Note 4)	Non-Reversing	*1	*1	*1	*1	*1	*1	
		Reversing (Note 3, Note 5)	*2	*2	*2	*2	*2	*2	
	Rated operational current (Category AC-15 : Alternating current coil load)	120VAC	6						
		240VAC	3						
		24VDC	3						
		110VDC (Category DC-13 : Direct current coil load)	0.6						
Conventional free air thermal current Ith [A]	10								
Performance	Mechanical durability [ten thousand times]	1000							
	Electrical durability [ten thousand times]	Category AC-3	Please refer to the Electrical durability curve on Page 13						
		Category AC-4	Please refer to the Electrical durability curve on Page 13						
	Switching frequency [time/hour]	Category AC-3	50						
Category AC-4		1800							
Characteristic	Coil consumption (Note 6)	Inrush [VA]	45			75		55	
		Sealed [VA]	7			6		4.5	
Outside dimensions	Power consumption (Note 6) [W]	2.2		2.2	2.2	2.4	2.4	1.8	
		Magnetic Contactors (without Thermal Overload Relays)	Non-Reversing	36x75x78	43x75x78	43x75x78	63x81x81	63x81x81	43x81x81
Models of mountable options	(Width x Height x Depth) [mm]	Reversing	82x85x78	97x85x78	97x85x78	136x81x81	136x81x81	96x81x111	
		Open type Magnetic Starters	Non-Reversing	45x115x79	45x115x79	45x115x79	63x128x82	63x128x82	-
Mechanical interlocks	(Width x Height x Depth) [mm]	Reversing	90x125x79	97x125x79	97x125x79	136x128x82	136x128x82	-	
		IEC 35mm rail mounting	Possible	Possible	Possible	Possible	Possible	Possible	
Additional auxiliary contact block	(Contact arrangement 1a1b)	UT-AX2/AX11 * Scheduled to be released in fiscal 2013							
	(Contact arrangement 2a2b)	UT-AX4							
	(Varistor) (Note 2)	UT-SA21							
	(Varistor + indicating LED)	UT-SA22							
	(CR)	UT-SA23							
Operation coil surge absorber unit	(Varistor + CR)	UT-SA25							
	Mechanical interlocks	UT-ML11			UN-ML21				

Note 1: The content within () of rated capacity and rated operational current is applied to the Magnetic Starter.
 Note 2: Coil surge absorber-mounted type (□-□ SA type) is also manufactured. UT-SA21 type is mounted.
 Note 3: +2b of T10 and T12 auxiliary contact arrangements in Reversing type represents b contact built in the UT-ML11 interlock unit.
 Note 4: The maximum number of additional options is equal to the number of auxiliary contact units UT-AX4 mounted on the main unit.
 Note 5: For auxiliary contact arrangement in Reversing type, X2 is displayed as combined auxiliary contact arrangement of two Magnetic Contactors. Please specify the contact arrangement for which two main units are combined must be designated. <Designation example> In case of 1b x 2 + 2b: 2B
 Note 6: Operational coil input and coil consumption are average values in case of applying 220V60Hz to AC200V coil.

Making and Breaking capacities

Frame	T10	T12	T20	T21	T25	T32	
Making capacity	220 to 240VAC	110	130	180	250	300	320
Category AC-3 [A]	380 to 440VAC	90	120	180	230	300	320
	500VAC	70	90	170	170	240	240
Breaking capacity	220 to 240VAC	88	104	144	200	240	256
	Category AC-4 [A]	380 to 440VAC	72	96	144	184	240
	500VAC	56	72	136	136	192	192

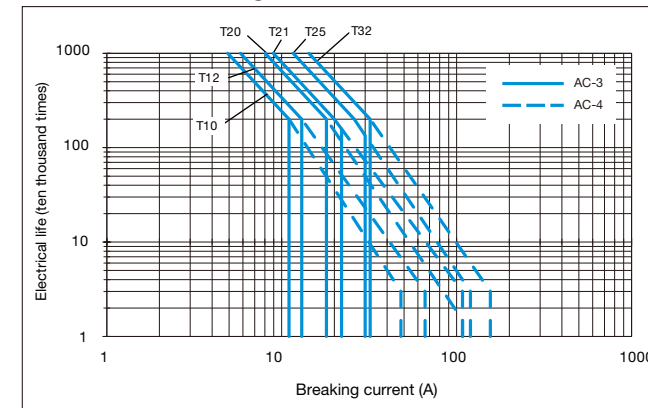
Note 1: Open/close frequency of closed circuit current capacity and breaking current capacity is 50 respectively (IEC60947-4-1).

Short-circuit Coordination

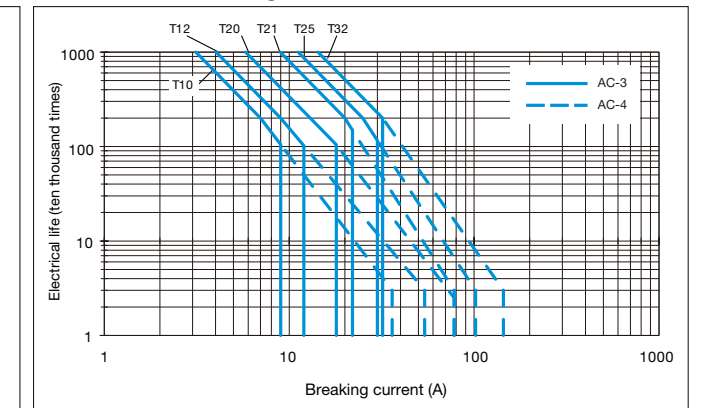
Magnetic Contactors model		S-T10	S-T12	S-T20	S-T21	S-T25	S-T32	SR-T5/T9
Type 1	Short-circuit protection device rating	40A		80A		-		
	* Fuse gG (IEC60269-1/2)	10A		-		10A		

Electrical Durability Curve

● Main circuit voltage 220 to 240VAC



● Main circuit voltage 380 to 440VAC



Coil Ratings

Coil types and ratings (Alternating current operation type)

- For S-T10 to T32 types
- For SR-T5 and T9 types

Coil designation	Rated voltage [V]		Coil display
	50Hz/60Hz		
AC24V	24		Rated voltage and frequency
AC48V	48-50		
AC100V	100-127		
AC200V	200-240		
AC300V	260-300		
AC400V	380-440		
AC500V	460-550		

Note: Even when the single rating (example: 200V60Hz) is specified for an order, the above rating voltage is indicated on the product.

Introduction MS-T Selection and Application Application to Thermal Overload Relay Product Introduction Overseas Standard Type Codes Order Procedure Outline Drawing Warranty and Safety

● For S-T10SA to T32SA types
For SR-T5SA and T9SA types

Coil designation	Rated voltage [V]	Coil indication	Varistor voltage [V]
	50Hz/60Hz		
AC24V	24	Rated voltage and frequency	120
AC48V	48-50		120
AC100V	100-127		470
AC200V	200-240		470
AC300V	260-300		910
AC400V	380-440		910

Note 1: Add "SA" to the end of the type name to order the operation coil surge absorber mounting type (varistor).

Example: S-T10SA AC100V

Note 2: Even when the single rating (example: 200V/60Hz) is specified for an order, the above rating voltage is indicated on the product.

Contact Reliability

Contact reliability of main and auxiliary contacts

The minimum working voltage and current of the main and auxiliary contacts of the S-T type Magnetic Contactors and the contact of the SR-T type Contactor Relays vary depending on the allowable failure rate. Apply the following diagrams.

■ The contact reliability reduces when a contact is connected in series or when the current is applied and broken at the time of opening and closing the contact.

Prescribe remedies such as connecting the contact in parallel (providing redundancy).

■ The contact must be connected in parallel (providing redundancy) if reliability greater than the contact reliability shown the diagrams 1 to 3 is required.

● Magnetic Contactors

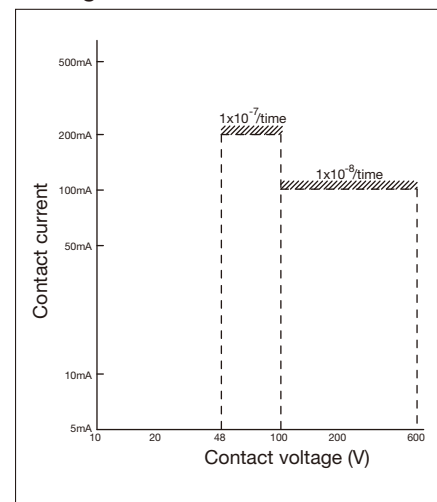


Diagram 1. S-T main contact

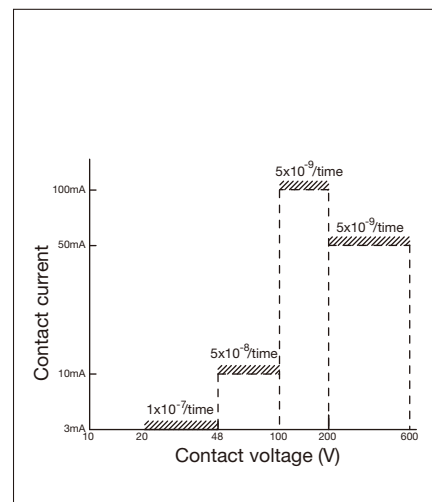


Diagram 2. S-T auxiliary contact

● Contactor Relays

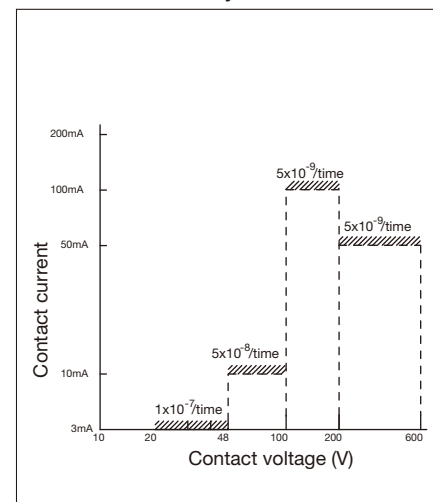


Diagram 3. SR-T5, T9, UT-Ax4

Note 1: The contact reliability indicates the failure rate λ 60 (the number of failures/the number of opening and closing operations, per contact) at 60% reliability standard.

This reliability is applied when the product is in use under a clean atmosphere in the standard specification environment (Refer to page 44).

Note 2: The contact resistance of the contacts may change due to economical corrosion and that may affect the contacts in the case of a light load.

It is recommended that regular inspections to be conducted, with load opening and closing performed several times in the inspection, and that consideration be provided on the system side.

Specification List

Thermal Overload Relays

Model list

Frame		T18	T25		
Appearance					
Model name	with 2-elements	TH-T18	TH-T25		
	with 3-elements	TH-T18KP	TH-T25KP		
	Outside dimensions [mm]	45x55x76.5	63x51x79		
	WxHxD	-	-		
	Product weight [kg]	0.11	0.16		
Applicable standard		IEC, EN, JIS			
Use condition	Ambient temperature [°C]	-10 to +40 (Standard: 20°C; maximum temperature on the board: 55°C)			
	Frequency [Hz]	0(DC) to 400			
Rated insulation voltage [V]		690			
Rated impulse withstand voltage [kV]		6			
Pollution degree		3			
Main circuit specifications	Heater designation (adjustable range of stabilized current) [A] (Rated operational voltage : 550V maximum)	0.12 (0.1 to 0.16)	2.1 (1.7 to 2.5)	0.24 (0.2 to 0.32)	2.5 (2 to 3)
		0.17 (0.14 to 0.22)	2.5 (2 to 3)	0.35 (0.28 to 0.42)	3.6 (2.8 to 4.4)
		0.24 (0.2 to 0.32)	3.6 (2.8 to 4.4)	0.5 (0.4 to 0.6)	5 (4 to 6)
		0.35 (0.28 to 0.42)	5 (4 to 6)	0.7 (0.55 to 0.85)	6.6 (5.2 to 8)
		0.5 (0.4 to 0.6)	6.6 (5.2 to 8)	0.9 (0.7 to 1.1)	9 (7 to 11)
		0.7 (0.55 to 0.85)	9 (7 to 11)	1.3 (1 to 1.6)	11 (9 to 13)
		0.9 (0.7 to 1.1)	11 (9 to 13)	1.7 (1.4 to 2)	15 (12 to 18)
		1.3 (1 to 1.6)	15 (12 to 18)	2.1 (1.7 to 2.5)	22 (18 to 26)
		1.7 (1.4 to 2)	-	-	-
		Power consumption [VA/element] at minimum/maximum stabilization		0.8 / 1.8	
Terminal screw size		M3.5			
Compatible with terminal	Electric wire size [mm ²]	ϕ 1.6, 0.75 to 2.5			
	Crimp lug size	1.25-3.5 to 2-3.5, 5.5-S3			
Contact arrangement		1a1b			
Conventional free air thermal current Ith [A]		2			
Rating	Category AC-15 (AC operated Magnetic Contactors) (Coil opening and closing) a contact/b contact	24VAC	2(0.5) / 2(0.5)	2(0.5) / 3(0.5)	
		120VAC	2(0.5) / 2(0.5)	2(0.5) / 3(0.5)	
		240VAC	1(0.5) / 1(0.5)	1(0.5) / 2(0.5)	
		550VAC	0.3(0.3) / 0.3(0.3)	0.3(0.3) / 0.3(0.3)	
		24VDC	0.5(0.3)	1(0.3)	
		110VDC	0.2(0.2)	0.2(0.2)	
Current [A]	Category DC-13 (DC operated Magnetic Contactors) (Coil opening and closing)	220VDC	0.1(0.1)	0.1(0.1)	
		Minimum applicable load level	20V 5mA	20V 5mA	
Terminal screw size		M3.5			
Compatible with terminal	Electric wire size [mm ²]	ϕ 1.6, 0.75 to 2.5			
	Crimp lug size	1.25-3.5 to 2-3.5			
Trip class		10A			
Operating characteristic curve description page		Page 17			
Vibration resistance (vibration resistance malfunction performance)		10 to 55 Hz, 19.6 m/s ²			
Trip-free		○			
Reset method		Manual/Automatic switchable			
Operation indication (lever indication)		○			
Manual trip check		○			

Note 1: The ambient temperature compensator is mounted on all types.

Note 2: ○ indicates standard equipment. ◯ : Already released.

Selection Table

Thermal Overload Relays

Application to standard three-phase motor of Thermal Overload Relays

Thermal Overload Relays				Standard three-phase motor capacity [kW]		Magnetic Contactors that can be combined					
Heater designation (A)	Setting range (A)	Short-circuit protector rating (A) * Fuse gG (IEC60289-1/2)		Frame	200-220V	380-440V	Magnetic Contactors that can be combined				
		Main circuit	Auxiliary circuit				TH-T18		TH-T25		
0.12	0.1-0.16	2	6	TH-T18			S-T10	S-T12	S-T20	S-T21	S-T25
0.17	0.14-0.22	2	6								
0.24	0.2-0.32	2	6		0.03	0.05					
0.35	0.28-0.42	2	6		0.05	0.1					
0.5	0.4-0.6	2	6		0.07						
0.7	0.55-0.85	4	6		0.1	0.18					
0.9	0.7-1.1	4	6			0.25					
1.3	1.0-1.6	4	6		0.2	0.37, 0.55					
1.7	1.4-2.0	6	6			0.75					
2.1	1.7-2.5	6	6		0.4						
2.5	2.0-3.0	10	6			1.1					
3.6	2.8-4.4	10	6		0.75	1.5					
5	4.0-6.0	16	6		1	2.2					
6.6	5.2-8.0	20	6		1.5	3, 3.7					
9	7.0-11	20	6		2.2	3, 3.7					
11	9.0-13	25	6		5.5						
15	12-18	32	6	3.7	7.5, 9						
22	18-26	50	6	5.5	11						

Precautions for Use

Thermal Overload Relays

Disassembly

The Thermal Overload Relays are adjusted at the time of assembly. Do not disassemble it.

Ambient temperature compensation

The TH-T type Thermal Overload Relays are adjusted with the Magnetic Starters in the standard box (the MS type) relative to the ambient temperature of 20°C (The temperature on the control board of the MSO type Magnetic Starters is 35°C). The ambient temperature compensator is mounted on the TH-T type Thermal Overload Relays. Therefore, the ambient temperature less affects the operational characteristic change. The minimum operating current change according to the ambient temperature change relative to the ambient temperature of 20°C (the temperature on the control board of 35°C) generally depends on the characteristics in the diagrams 1 and 2.

The Thermal Overload Relays have a characteristic that the operating current becomes high when the ambient temperature is low and becomes low when the ambient temperature is high. If the ambient temperature of the installation site is significantly different from 20°C (the temperature on the control board of 35°C), the setting current of the Thermal Overload Relays needs to be corrected as shown in diagrams 1 and 2. In addition, note that the compensation factor has a characteristic to be the minimum scale>middle scale>maximum scale at the adjustment knob location. (Note that the Thermal Overload Relays may operate at a current of less than 100% stabilized current if in use at temperatures exceeding the allowable working temperature of 40°C (55°C).)

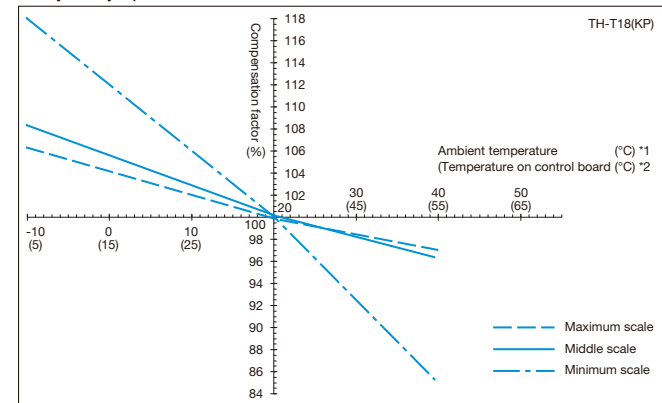


Diagram 1. Ambient temperature compensation curve (T18 frame)

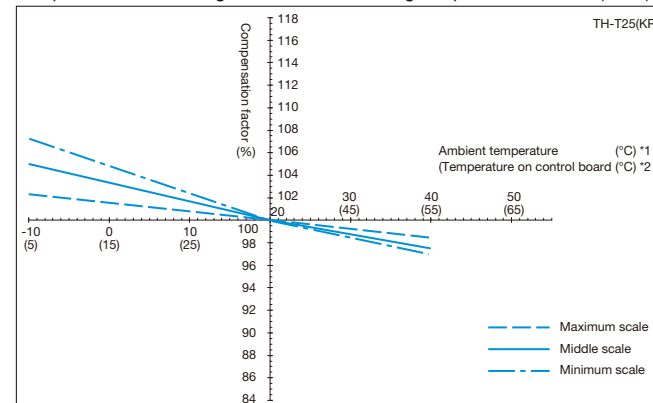


Diagram 2. Ambient temperature compensation curve (T25 frame)

Compensation factor: Percentage of the minimum operating current at the ambient temperature of 20°C (the temperature on the control board of 35°C)

<Compensation procedure of setting current>
Determine the compensation factor of the working ambient temperature according to the curves in diagrams 1 and 2 and use the value of all load currents of the motor divided by the determined compensation factor as the stabilization value.
Example: The ambient temperature compensation factor for TH-T25 at the ambient temperature of 40°C (the temperature on the control board of 55°C) is 97% at the minimum scale according to diagram 2. If the motor rated current is 15A, the stabilization value is 15.5A (=15/0.97.)

Note 1: [*1] The ambient temperature applied to the MS type indicates the outside temperature of the box. **To be released in the future**
[*2] The temperature including temperature increase on the control board applied to the MSO type is indicated.

Connecting electric wire size and operating current

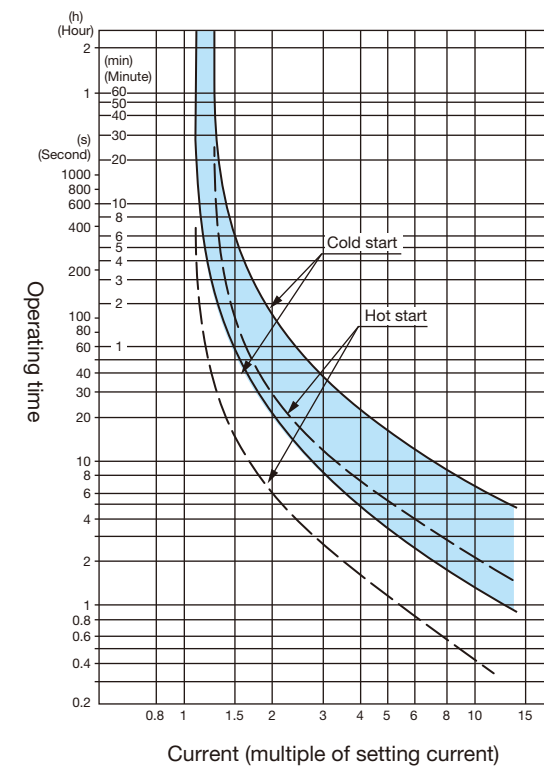
The TH-T type adjusts the minimum operating current with the standard electric wire size shown in the following table. If the electric wire is thicker or thinner than this standard electric wire size, the operating current becomes high or low, respectively. Therefore, correct the stabilized current (divide it by the change rate of the minimum operating current) to use a size different from the standard connecting electric wire size.

Model name	Heater designation [A]	Standard electric wire size [mm ²]	Connecting electric wire size [mm ²]	Change rate of minimum operating current [%]
TH-T18(KP)	0.12 to 15	2	1.25	98
TH-T25(KP)	0.24 to 11		2.5	103
TH-T25(KP)	15, 22	3.5	2	97
			6	104

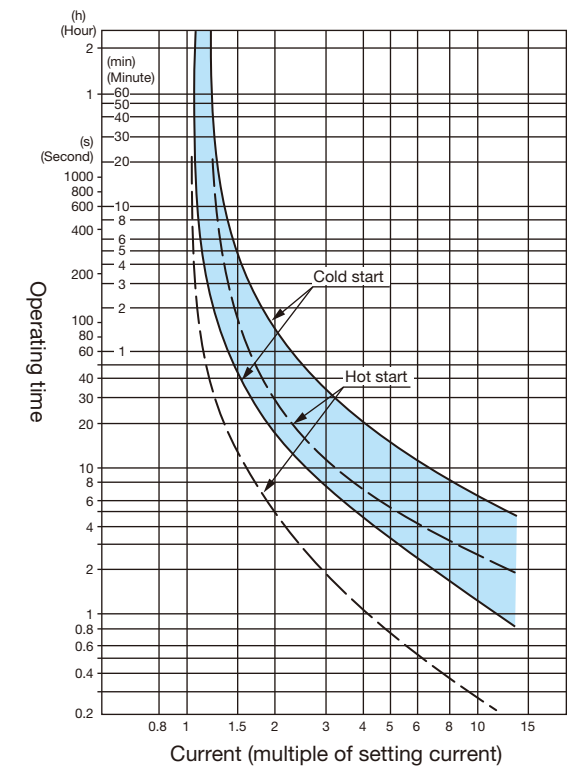
Operating Characteristic of Thermal Overload Relays (Ambient Temperature of 20°C) Thermal Overload Relays

For the information on the connecting electric wire size, refer to page 46.

● TH-T18, T18KP



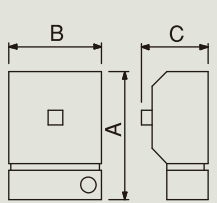
● TH-T25, T25KP



MS-T Series Introduction
Selection and Application
Application to Thermal Overload Relays
Product Introduction
Overseas Standard
Type Codes
Order Procedure
Outline Drawing
Warranty and Safety

Magnetic Starters

- MSO-T series (non-Reversing)
- MSO-2xT series (Reversing)

Model name	Non-Reversing	MSO-T10				MSO-T12				MSO-T20				MSO-T21				MSO-T25					
	Reversing	MSO-2xT10				MSO-2xT12				MSO-2xT20				MSO-2xT21				MSO-2xT25					
Rated capacity (kW) Category AC-3	220 to 240VAC	2.5				3.5				4.5				5.5				7.5					
	380 to 440VAC	4				5.5				7.5				11				15					
	500VAC	4				5.5				7.5				11				15					
Heater rating (designation) of standard Thermal Overload Relays (A)	0.12	0.17	0.24	0.35	0.12	0.17	0.24	0.35	0.12	0.17	0.24	0.35	0.24	0.35	0.5	0.7	0.24	0.35	0.5	0.7			
	0.5	0.7	0.9	1.3	0.5	0.7	0.9	1.3	0.5	0.7	0.9	1.3	0.9	1.3	1.7	2.1	0.9	1.3	1.7	2.1			
	1.7	2.1	2.5	3.6	1.7	2.1	2.5	3.6	1.7	2.1	2.5	3.6	2.5	3.6	5	6.6	2.5	3.6	5	6.6			
Operation coil rating		Refer to pages 13 and 14																					
Auxiliary contact arrangement	Non-Reversing	Standard	1a				1a1b				1a1b				2a2b				2a2b				
		Special	1b				2a				2a				—				—				
	Reversing	Standard	1a×2+2b				1a1b×2+2b				1a1b×2+2b				2a2b×2				2a2b×2				
		Special	1b×2+2b				2a×2+2b				2a×2+2b				—				—				
	Non-Reversing	A	115				115				115				128				128				
		B	45				45				45				63				63				
		C	79				79				79				82				82				
		A	125				125				125				128				128				
	Reversing	B	90				97				97				136				136				
		C	79				79				79				82				82				
		IEC 35mm rail mounting type		←————→																			
		Option	Front clip-on auxiliary contact block mounting type	←————→																			
Side clip-on auxiliary contact block mounting type	←————→																						
Surge absorber mounting type	←————→																						

Thermal Overload Relays that can be combined with Magnetic Contactors

Thermal Overload Relays type names and heater types that can be combined with Magnetic Contactors

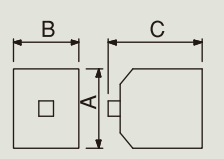
Magnetic Contactors frame	Thermal Overload Relays type name that can be combined	Heater designation (adjustable range of stabilized current) (A)
T10, T12, T20	TH-T18	0.12(0.1 to 0.16) 0.17(0.14 to 0.22) 0.24 (0.2 to 0.32) 0.35(0.28 to 0.42) 0.5(0.4 to 0.6) 0.7(0.55 to 0.85) 0.9(0.7 to 1.1) 1.3(1 to 1.6) 1.7(1.4 to 2) 2.1(1.7 to 2.5) 2.5(2 to 3) 3.6(2.8 to 4.4) 5(4 to 6) 6.6(5.2 to 8) 9(7 to 11) 11(9 to 13)* 15(12 to 18)*
T21, T25	TH-T25	0.24(0.2 to 0.32) 0.35(0.28 to 0.42) 0.5(0.4 to 0.6) 0.7(0.55 to 0.85) 0.9(0.7 to 1.1) 1.3(1 to 1.6) 1.7(1.4 to 2) 2.1(1.7 to 2.5) 2.5(2 to 3) 3.6(2.8 to 4.4) 5(4 to 6) 6.6(5.2 to 8) 9(7 to 11) 11(9 to 13) 15(12 to 18) 22(18 to 26)*

Note 1: Select the value closer to the heater designation if the stabilized current has two values.

Note 2: Heater designation marked with * has Magnetic Starters frames that cannot be applied. For information on the applicable Magnetic Starters frames, refer to the "Heater rating (designation) of standard Thermal Overload Relays" field in the above table.

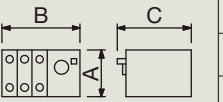
Magnetic Contactors

- S-T series (non-Reversing)
- S-2xT series (Reversing)

Model name	Non-Reversing	S-T10	S-T12	S-T20	S-T21	S-T25	S-T32	
	Reversing	S-2xT10	S-2xT12	S-2xT20	S-2xT21	S-2xT25	S-2xT32	
Rated operational current (A) Category AC-3	220 to 240VAC	11	13	18	25	30	32	
	380 to 440VAC	9	12	18	23	30	32	
	500 VAC	7	9	17	17	24	24	
Conventional free air thermal current Ith (A)	20							
Operation coil rating		Refer to pages 13 and 14						
Auxiliary contact arrangement	Non-Reversing	Standard	1a	1a1b	1a1b	2a2b	2a2b	—
		Special	1b	2a	2a	—	—	—
	Reversing	Standard	1a×2+2b	1a1b×2+2b	1a1b×2+2b	2a2b×2	2a2b×2	—
		Special	1b×2+2b	2b×2+2b	2b×2+2b	—	—	—
	Non-Reversing	A	75	75	75	81	81	81
		B	36	43	43	63	63	43
		C	78	78	78	81	81	81
	Reversing	A	85	85	85	81	81	81
		B	82	97	97	136	136	96
		C	78	78	78	81	81	111
IEC 35mm rail mounting type		←————→						
Option	Front clip-on auxiliary contact block mounting type	←————→						
	Side clip-on auxiliary contact block mounting type	←————→						
	Surge absorber mounting type	←————→						

Thermal Overload Relays

TH-T series

Model name	TH-T18	TH-T25
Application	MSO-T10 -T12 -T20	MSO-T21 -T25
Standard heater rating (designation) (A)	0.12, 0.17, 0.24, 0.35, 0.5, 0.7, 0.9, 1.3, 1.7, 2.1, 2.5, 3.6, 5, 6.6, 9, 11, 15	0.24, 0.35, 0.5, 0.7, 0.9, 1.3, 1.7, 2.1, 2.5, 3.6, 5, 6.6, 9, 11, 15, 22
Contact arrangement	1a1b	1a1b
	A	55
	B	45
	C	76.5

Heater types

Heater types of TH type Thermal Overload Relays

For Magnetic Starters		For single mounting		Heater designation (adjustable range of stabilized current) (A)
2-element	3-element	2-element	3-element	
T18	T18KP	Note 1	Note 1	0.12(0.1 to 0.16) 0.17(0.14 to 0.22) 0.24 (0.2 to 0.32) 0.35(0.28 to 0.42) 0.5(0.4 to 0.6) 0.7(0.55 to 0.85) 0.9(0.7 to 1.1) 1.3 (1 to 1.6) 1.7(1.4 to 2) 2.1(1.7 to 2.5) 2.5(2 to 3) 3.6(2.8 to 4.4) 5(4 to 6) 6.6(5.2 to 8) 9(7 to 11) 11(9 to 13) 15(12 to 18)
T25	T25KP	T25 Note 1	T25KP Note 1	0.24(0.2 to 0.32) 0.35(0.28 to 0.42) 0.5(0.4 to 0.6) 0.7(0.55 to 0.85) 0.9(0.7 to 1.1) 1.3(1 to 1.6) 1.7(1.4 to 2) 2.1(1.7 to 2.5) 2.5(2 to 3) 3.6(2.8 to 4.4) 5(4 to 6) 6.6(5.2 to 8) 9(7 to 11) 11(9 to 13) 15(12 to 18) 22(18 to 26)

Note 1: Combining UT-HZ18 **To be released in the future** allows the T18 frame to be used singly (screw mounting or IEC 35 mm rail mounting).
Combining UN-RM20 allows the T25 frame for single mounting to have the IEC 35mm rail mounted.

Contactors Relays

Specification List

Model name		SR-T5	SR-T9	
Number of poles		5	9	
Contact arrangement		5a 4a1b 3a2b	9a 7a2b 5a4b	
Rated insulation voltage [V]		690		
Rated impulse withstand voltage [kV]		6		
Rated frequency [Hz]		50/60		
Pollution degree		3		
Contact rating (Note 1)	AC rated operational current [A]	Category AC-15 (Coil load)	120VAC	6
			240VAC	3
			440VAC	1.5
		550VAC	1.2	
	DC rated operational current [A]	Category AC-12 (resistive load)	120VAC	10
			240VAC	8
			440VAC	5
		Category DC-13 (large coil load)	550VAC	5
			24VDC	3
			48VDC	1.5
Category DC-12 (resistive loads)	110VDC	0.6(2)		
	220VDC	0.3(0.8)		
	24VDC	10		
Minimum applicable load level		20V 3mA		
Characteristic Performance	Mechanical durability [ten thousand times]		1,000	
	Electrical durability [ten thousand times]		50	
	Switching frequency [time/hour]		1,800	
Characteristic Performance	Coil consumption (Note 3)	Inrush [VA]	47	
		Sealed [VA]	7	
Power consumption (Note 3) [W]		2.2		
Optional unit (Note 2)	Surge absorber unit		○	
	Additional auxiliary contact block		○	
IEC 35mm rail mounting		○	○	

Note 1: The value in brackets indicates the current when switching the load with two poles installed in series.

Note 2: In the optional unit field, ○ and X indicate mountable and non-mountable, respectively.

Note 3: Coil consumption are average values in case of applying 220V60Hz to AC200V coil.

Contact Relays

Contact arrangement/Contact placement

Model name	SR-T5	SR-T9
Contact arrangement	5a	9a
	4a1b	7a2b
	3a2b	5a4b
Contact placement	<p>5a</p>	<p>9a</p>
	<p>4a1b</p>	<p>7a2b</p>
	<p>3a2b</p>	<p>5a4b</p>

Combination with additional auxiliary contact block

The SR-T series contactor type Contactor Relay is usable in combination with the following additional auxiliary contact blocks.

Contactor Relay	Auxiliary contact blocks	Front clip-on						Side clip-on	
		UT-AX4			UT-AX2*			UT-AX11*	UT-AX11*
Model name	Contact arrangement	4a	3a1b	2a2b	2a	1a1b	2b	1a1b+1a1b	1a1b
SR-T5	5a	9a	8a1b	7a2b	7a	6a1b	5a2b	7a2b	6a1b
	4a1b	8a1b	7a2b	6a3b	6a1b	5a2b	4a3b	6a3b	5a2b
	3a2b	7a2b	6a3b	5a4b	5a2b	4a3b	3a4b	5a4b	4a3b

Note 1: The auxiliary contact blocks cannot be mounted on SR-T9.

Note 2: The Contactor Relay is not usable with front clip-on and side clip-on blocks mounted at the same time.

Note 3: The contact arrangements in are standard combinations.

* Scheduled to be released in fiscal 2013

Optional Units

Model list (for MS-T series)

Model name	Auxiliary contact blocks			Operation coil surge absorber unit				Mechanical interlocks
	UT-AX4	UT-AX2 *	UT-AX11 *	UT-SA23	UT-SA21	UT-SA22	UT-SA25	UT-ML11
Type	Front clip-on			Mounting on top				Side clip-on
Mounting	Front clip-on			Mounting on top				Side clip-on
Specification/ Function	Twin contact built-in 4-pole auxiliary contact (4a, 2a2b, 3a1b)	Twin contact built-in 2-pole auxiliary contact (2a, 1a1b, 2b)	Twin contact built-in 2-pole auxiliary contact (1a1b)	Operation coil surge absorber				Combining it with two single Magnetic Contactors configures the reversing type. ML11 is the electrical interlock 2b contact built-in type.
				With CR AC200V	With varistor 48VAC (Shared with DC) 200VAC (Shared with DC) 400VAC	With varistor + indicating LED 200VAC (Shared with DC)	With varistor + CR 48VAC (Shared with DC) 200VAC (Shared with DC)	
Appearance (Typical example)								
Applied model	Magnetic Starters	T10-T32		T10-T32				T10-T20
	Magnetic Contactors	T10-T32		T10-T32				T10-T20
	Contactor Relays	SR-T5		SR-T5/T9				-
Others	Combination with UT-AX11 is not available.		Combination with UT-AX2/4 is not available.		-		-	

* Scheduled to be released in fiscal 2013

Optional Units

● UT-AX□ auxiliary contact block

Ratings and specifications

Model name		UT-AX4	UT-AX2*	UT-AX11*
Mounting method		Front clip-on	Front clip-on	Side clip-on
Number of poles		4	2	2
Contact arrangement		4a	2a	1a1b
		3a1b	1a1b	
		2a2b	2b	
Applicable model		S-T10, T12, T20, T21, T25, T32		
		SR-T5		
Rated insulation voltage [V]		690		
Rated impulse withstand voltage [kV]		6		
Rated frequency [Hz]		50/60		
Pollution degree		3		
Contact ratings (Note 2)	AC rated operational current (A)	Category AC-15 (coil load)	AC120V	6
			AC240V	3
			AC440V	1.5
			AC550V	1.2
	AC rated operational current (A)	Category AC-12 (resistive load)	AC120V	10
			AC240V	8
			AC440V	5
			AC550V	5
	DC rated operational current (A)	Category DC-13 (large coil load)	DC24V	3
			DC48V	1.5
DC110V			0.6(2)	
DC220V			0.3(0.8)	
DC rated operational current (A)	Category DC-12 (resistive load)	DC24V	10	
		DC48V	8	
		DC110V	5(8)	
		DC220V	1(3)	
Minimum applicable load level		20V 3mA		
Mechanical durability [ten thousand times]		1,000		
Electrical durability [ten thousand times]		50		
Switching frequency [time/hour]		1,800		
Terminal screw size/type		M3.5 cross slot screw with pressure plate		
Applicable electric wire size [φmm,mm²]		φ1.6 0.75 to 2.5		
Applicable crimp lug size		1.25-3.5 to 2-3.5		
Terminal screw tightening torque [N·m]		0.9 to 1.5		

Note 1: It is not possible to mount both the front clip-on and side clip-on units at the same time.

Note 2: The value in brackets indicates the current when switching the load with two poles installed in series.

* Scheduled to be released in fiscal 2013

● UT-SA□ Operation Coil Surge Absorber Unit

Types and application

Surge absorber element	Model		Internal element specifications	Applicable voltage range						
	UT-	Designation		AC (V) 50/60Hz						
				12	24	50	100	240	346	480
Varistor	SA21	AC 48V	Varistor voltage 120V	[12-50]						
		AC 200V	Varistor voltage 470V	[100-480]						
		AC 400V	Varistor voltage 910V	[100-480]						
Varistor + indicating LED	SA22	AC 200V	Varistor voltage 470V	[50-480]						
CR	SA23	AC 200V	0.2μF 120Ω	[100-480]						
Varistor + CR	SA25	AC 48V	Varistor voltage 120V 0.1μF 47Ω	[24-50]						
		AC 200V	Varistor voltage 470V 0.1μF 47Ω	[100-480]						

□ Applicable voltage □ Rated voltage range

Note: The surge suppression effect for the applied circuit is smaller in the □ (applicable voltage) range than in the □ (recommended voltage) range. Even in the □ (recommended voltage) range, the surge suppression effect may not be enough depending on the characteristics of the connected device. (Check the influence of surge using the actual device in advance.)

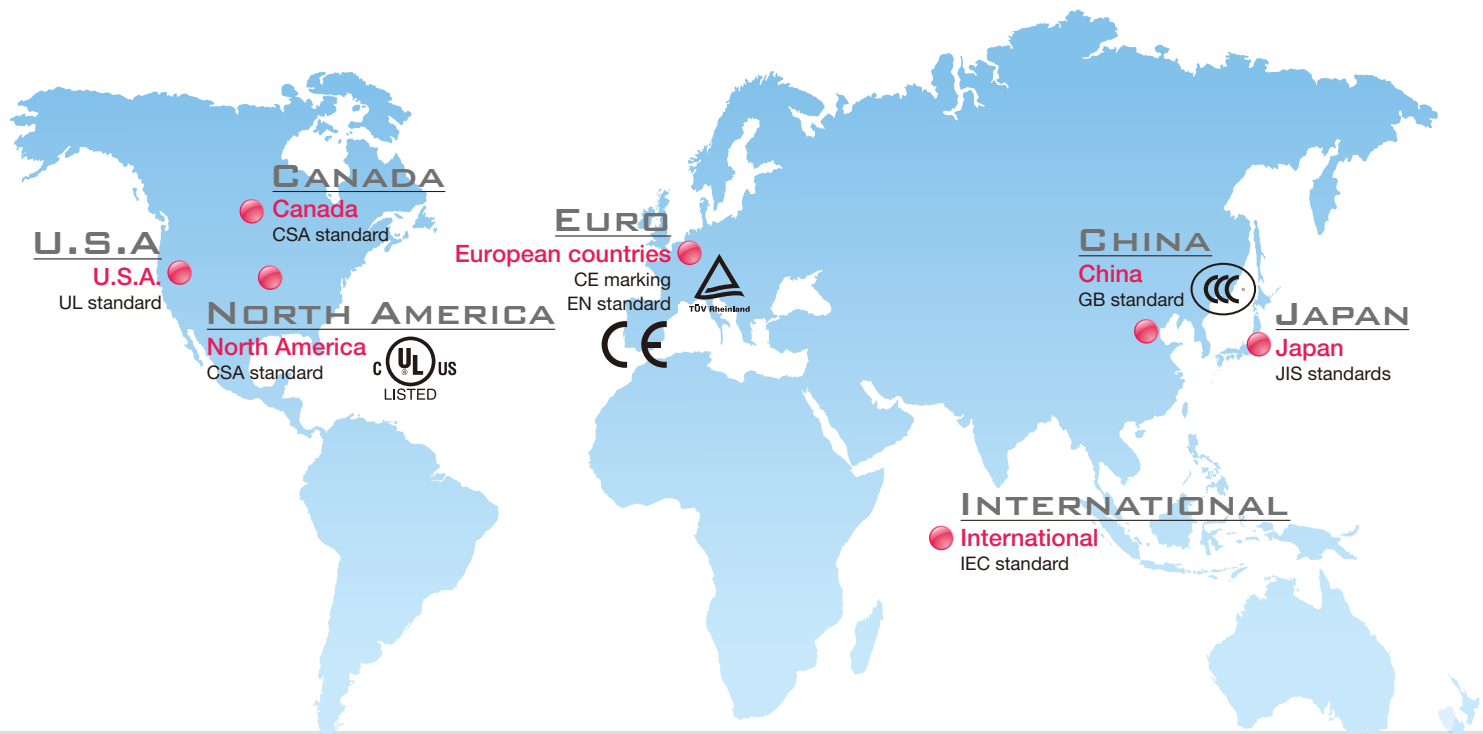
Application and selection

Model	Applicable model	
	Magnetic Contactor	Contact Relay
UT-SA21	S-T10, T12, T20, T21, T25, T32	SR-T5, T9
UT-SA22		
UT-SA23		
UT-SA25		

Precautions for application

- (1) Connect the terminals of surge absorber unit in parallel with the operation coil of the Magnetic Contactor or Contact Relay.
- (2) When used in combination with the surge absorber, the open time of the Magnetic Contactor or Contact Relay may be 1.5 to 3 times longer.
- (3) The surge absorber is designed to suppress the surge from the magnetic contactor. The warranty does not cover external surges. Extreme external surges may damage the product.

We support your overseas business.



Our standard products comply with the domestic standards as well as various overseas standards and are certified to meet all the standards.

Type	Model name	Applicable standard			Safety certification standard		EC directive	Certification body	CCC
		JIS	IEC	EN	UL	CSA	CE Marking	TÜV	GB
		Japan	International	Europe	U.S.A.	Canada	Europe	(Note1)	China
Magnetic Contactors	S-T10 to T32	○	○	○	○	○	○	○	○
Open Type Magnetic Starters	MSO-T10KP to T25KP	○	○	○	○	○	○	○	○
Thermal Overload Relays	TH-T18KP to T25P	○	○	○	○	○	○	○	○

Note1: The Magnetic Starters will be certified under each type name of the Magnetic Contactors and the Thermal Overload Relays on the condition that the Magnetic Contactors and the Thermal Overload Relays are used in combination.
 Note2: For the UL standard for the U.S.A. & Canada, refer to the table on the right.

UL Approval for U.S.A. and Canada

Magnetic Contactor

Type	Main Contact										Auxiliary Contact (Rating Code)	Mark	
	Maximum Horsepower Rating [HP]												
	Single Phase					Polyphase							
	110-120V	200-208V	220-240V	440-480V	550-600V	110-120V	200-208V	220-240V	440-480V	550-600V	Maximum Continuous Current Rating [A]	A600 and Q300	 File No. E58968 CCN: NLDX (U.S.A.) NLDX7 (Canada)
S-(2X)T10	1/2	1	1-1/2	2	2	1	3	3	5	5			
S-(2X)T12	1/2	1	1-1/2	2	2	1	3	3	7-1/2	7-1/2	20		
S-(2X)T20	1	2	2	3	3	2	3	5	7-1/2	7-1/2	30		
S-(2X)T21	1	-	3	5	5	2	5	5	10	10	30		
S-(2X)T25	2	-	3	7-1/2	7-1/2	3	7-1/2	7-1/2	15	15	32.5		
S-(2X)T32	2	5	5	10	7-1/2	5	10	10	20	15	32.5		

Mechanical Interlock

UT-ML11 : Approval as Unlisted Component to be suitable for Type S-2XT10, -2XT12 or -2XT20 Reversing Magnetic Contactor

Thermal Overload Relay

Type	Heater Designation	FLA Adjustable Range [A]	Magnetic Contactor to be coupled	Connecting Bar for coupling	Trip Class	Auxiliary Contact (Rating Code)	Mark
TH-T18KP	0.12 A	0.1 - 0.16	S-(2X)T10, S-(2X)T12, S-(2X)T20	Unnecessary	10	C600	 File No. E58969
	0.17 A	0.14 - 0.22					
	0.24 A	0.2 - 0.32					
	0.35 A	0.28 - 0.42					
	0.5 A	0.4 - 0.6					
	0.7 A	0.55 - 0.85					
	0.9 A	0.7 - 1.1					
	1.3 A	1 - 1.6					
	1.7 A	1.4 - 2					
	2.1 A	1.7 - 2.5					
	2.5 A	2 - 3					
	3.6 A	2.8 - 4.4					
	5 A	4 - 6					
	6.6 A	5.2 - 8					
9 A	7 - 11						
TH-T25KP	11 A	9 - 13	S-(2X)T12, S-(2X)T20	UN-TH21	10	B600	 File No. E58969 CCN: NKCR (U.S.A.) NKCR7 (Canada)
	15 A	12 - 18 ^{*1}	S-(2X)T20				
	0.24 A	0.2 - 0.32	S-(2X)T21, S-(2X)T25				
	0.35 A	0.28 - 0.42					
	0.5 A	0.4 - 0.6					
	0.7 A	0.55 - 0.85					
	0.9 A	0.7 - 1.1					
	1.3 A	1 - 1.6					
	1.7 A	1.4 - 2					
	2.1 A	1.7 - 2.5					
	2.5 A	2 - 3					
	3.6 A	2.8 - 4.4					
	5 A	4 - 6					
	6.6 A	5.2 - 8					
9 A	7 - 11						
11 A	9 - 13						
15 A	12 - 18						
22 A	18 - 26	S-(2X)T25					

Note : *1 - The available FLA rating is 16A or less.

Contactor Relay and Auxiliary Contact Block

Type	Auxiliary Contact (Rating Code)	Mark
SR-T5 SR-T9	A600 and Q300	 File No. E58969 CCN: NKCR (U.S.A.) NKCR7 (Canada)
(UT-AX2) UT-AX4 (UT-AX11)		 File No. E58969 CCN: NKCR2 (U.S.A.) NKCR8 (Canada)

Surge Absorber Unit for Operating Coil

Type	Rating, 50/60Hz	Mark
UT-SA21	24-48V 100-240V 346-480V	 File No. E58969 CCN: NKCR2 (U.S.A.) NKCR8 (Canada)
UT-SA22	100-240V	
UT-SA23	100-240V	
UT-SA25	24-50V 100-240V	

Introduction and Application | Selection and Application | MS-T Series Introduction | Product Introduction | Overseas Standard | Type Codes | Order Procedure | Outline Drawing | Warranty and Safety

Instruction for UL /CSA

Available Short Circuit Current Rating (SCCR) and Short Circuit Protection Device (S.C.P.D.)

Model	Max. Circuit Voltage	S.C.P.D.		S.C.P.D.													
		Fuse, Class K5	Available Short Circuit Current	Circuit Breaker						Available Short Circuit Current							
		Max. Current Ratings	600V	600V	Max. Current Ratings			Min. Interrupting Ratings			240V ^{*1}	480V ^{*1}	600V				
S-T10/T12		30A	5kA	240V ^{*1}	480V ^{*1}	600V	240V ^{*1}	480V ^{*1}	600V	240V ^{*1}	480V ^{*1}	600V	10kA	18kA	10kA	10kA	N/A
S-T20	70A	50A		50A	N/A	50kA	N/A	10kA	50kA	N/A	10kA	35kA	35kA	N/A			
S-T21	70A	50A		50A				10kA			35kA						
S-T25	100A	75A		75A				14kA			10kA						
S-T32	100A	75A		75A				14kA			10kA						

*1. Main circuit wires must be connected to contactor using applicable lugs shown in below table.

Model	Heater Desig.	Adjustable Range.Amps.	S.C.P.D.		S.C.P.D.											
			Fuse, Class K5	Available Short Circuit Current	Circuit Breaker						Available Short Circuit Current					
			Max. Current Ratings	600V	600V	Max. Current Ratings			Min. Interrupting Ratings			240V ^{*1}	480V ^{*1}	600V		
TH-T18KP	0.12A	0.10 - 0.16	15A	5kA	N/A									N/A		
	0.17A	0.14 - 0.22			N/A									N/A		
	0.24A	0.20 - 0.32			N/A									N/A		
	0.35A	0.28 - 0.42			N/A									N/A		
	0.5A	0.4 - 0.6			N/A									N/A		
	0.7A	0.55 - 0.85			N/A									N/A		
	0.9A	0.7 - 1.1			N/A									N/A		
	1.3A	1.0 - 1.6			N/A									N/A		
	1.7A	1.4 - 2.0			N/A									N/A		
	2.1A	1.7 - 2.5			N/A									N/A		
	2.5A	2.0 - 3.0			N/A									N/A		
	3.6A	2.8 - 4.4			N/A									N/A		
	5A	4.0 - 6.0			20A	15A	15A	N/A	10kA	18kA	N/A	10kA	10kA	N/A		
	6.6A	5.2 - 8.0			30A	30A	30A									
9A	7 - 11	40A	50A	50A	N/A											
11A ^{*2}	9 - 13	N/A									N/A					
15A ^{*3}	12 - 18	N/A									N/A					
TH-T25KP	0.24A	0.20 - 0.32	15A	5kA	N/A									N/A		
	0.35A	0.28 - 0.42			N/A									N/A		
	0.5A	0.4 - 0.6			N/A									N/A		
	0.7A	0.55 - 0.85			N/A									N/A		
	0.9A	0.7 - 1.1			N/A									N/A		
	1.3A	1.0 - 1.6			N/A									N/A		
	1.7A	1.4 - 2.0			N/A									N/A		
	2.1A	1.7 - 2.5			N/A									N/A		
	2.5A	2.0 - 3.0			N/A									N/A		
	3.6A	2.8 - 4.4			N/A									N/A		
	5A	4.0 - 6.0			20A	15A	15A	N/A	10kA / 50kA	50kA	N/A	10kA / 35kA	35kA	N/A		
	6.6A	5.2 - 8.0			30A	30A	30A									
	9A	7 - 11			40A	50A	50A	N/A								
	11A	9 - 13			50A	75A	75A	N/A								
15A	12 - 18	70A	N/A									N/A				
22A ^{*4}	18 - 26	100A	75A	75A	N/A									N/A		

*1. Main circuit wires must be connected to contactor using applicable lugs shown in next table.

*2. 11A heater is applied to types S-T12 and S-T20.

*3. 15A heater is applied to type S-T20.

*4. 22A heater is applied to type S-T25.

WARNING To provide continued protection against a risk of fire and electric shock, the complete overload relay must be replaced if burnout of current element occurs.

Note1: This overload relay is adjustable and ambient compensated. Set the dial in the position corresponding to the motor full load current.

Note2: Trip rating is 125% of setting.

Note3: Trip rating is 125% of setting.

Note4: Trip rating is 125% of setting.

Applicable wire size, lug size and tightening torque

Model	S-T10/T12/T20			S-T21	S-T25	S-T21/T25	S-T21/T25	TH-T18KP		TH-T25KP		
Terminal	Main	Auxiliary	Control	Main	Auxiliary	Control	Main	Auxiliary	Main	Auxiliary		
Screw size	M3.5	M3.5	M3.5	M4		M3.5	M3.5	M3.5	M3.5	M4	M3.5	
Wire strip length	10mm	10mm	9mm	11.5mm		11.5mm	9mm	10.5mm	10.5mm	10mm	10.5mm	
Wire size (60/75°C) (copper only) (Sol./Str.)	14 - 12 AWG	14 AWG	14 AWG	14 - 10 AWG	14 - 8 AWG	14 AWG	14 AWG	14 - 12 AWG ^{*1}	14 AWG	14 - 8 AWG	14 AWG	
Recommended Crimp Lug Size (JST Cat No.) ^{*3}	1.25-3.5 to 2-3.5	1.25-3.5 to 2-3.5	1.25-3.5 to 2-3.5	1.25-4 to 5.5-4	1.25-4 to 5.5-4	1.25-3.5 to 2-3.5	1.25-3.5 to 2-3.5	1.25-3.5 to 2-3.5	1.25-3.5 to 2-3.5	1.25-4 to 5.5-4	1.25-3.5 to 2-3.5	
Connection to terminal Max. qty.	2 Wires or 2 Lugs per terminal ^{*2}											
Tightening torque	10.3 lb-in (1.17N·m)	10.3 lb-in (1.17N·m)	10.3 lb-in (1.17N·m)	15 lb-in (1.69N·m)	10.3 lb-in (1.17N·m)	10.3 lb-in (1.17N·m)	10.3 lb-in (1.17N·m)	10.3 lb-in (1.17N·m)	10.3 lb-in (1.17N·m)	15 lb-in (1.69N·m)	10.3 lb-in (1.17N·m)	

*1. The available current rating of 15A heater is 16A or less.

*2. Two conductors of the same size can be connected.

*3. Please use swaging tool which is recommended by JST.

WARNING When a 2-wire control is used to reset the automatic reset overload relay of a motor controller, the motor connected to the circuit may start automatically when the relay is in the automatic reset position.

Model	S-T32	
Terminal	Main	Control
Screw size	M4	M3.5
Wire strip length	11.5mm	9mm
Wire size (60/75°C) (copper only) (Sol./Str.)	14 - 10 AWG 8 AWG ^{*1}	14 AWG
Recommended Crimp Lug Size (JST Cat No.) ^{*3}	1.25-4 to 5-5.4 8-NK4	1.25-3.5 to 2-3.5
Connection to terminal Max. qty.	2 Wires or 2 Lugs per terminal ^{*2}	
Tightening torque	15 lb-in (1.69N·m)	10.3 lb-in (1.17N·m)

*1. If it is necessary to apply 8AWG at the polyphase AC200-208V, it should be applied 75°C copper wire only.

*2. Two conductors of the same size can be connected.

*3. Please use swaging tool which is recommended by JST.

Model	SR-T5/T9	
Terminal	Auxiliary	Control
Screw size	M3.5	M3.5
Wire strip length	10mm	9mm
Wire size (60/75°C) (copper only) (Sol./Str.)	14 AWG	14 AWG
Recommended Crimp Lug Size (JST Cat No.) ^{*2}	1.25-3.5 to 2-3.5	1.25-3.5 to 2-3.5
Connection to terminal Max. qty.	2 Wires or 2 Lugs per terminal ^{*1}	
Tightening torque	10.3 lb-in (1.17N·m)	10.3 lb-in (1.17N·m)

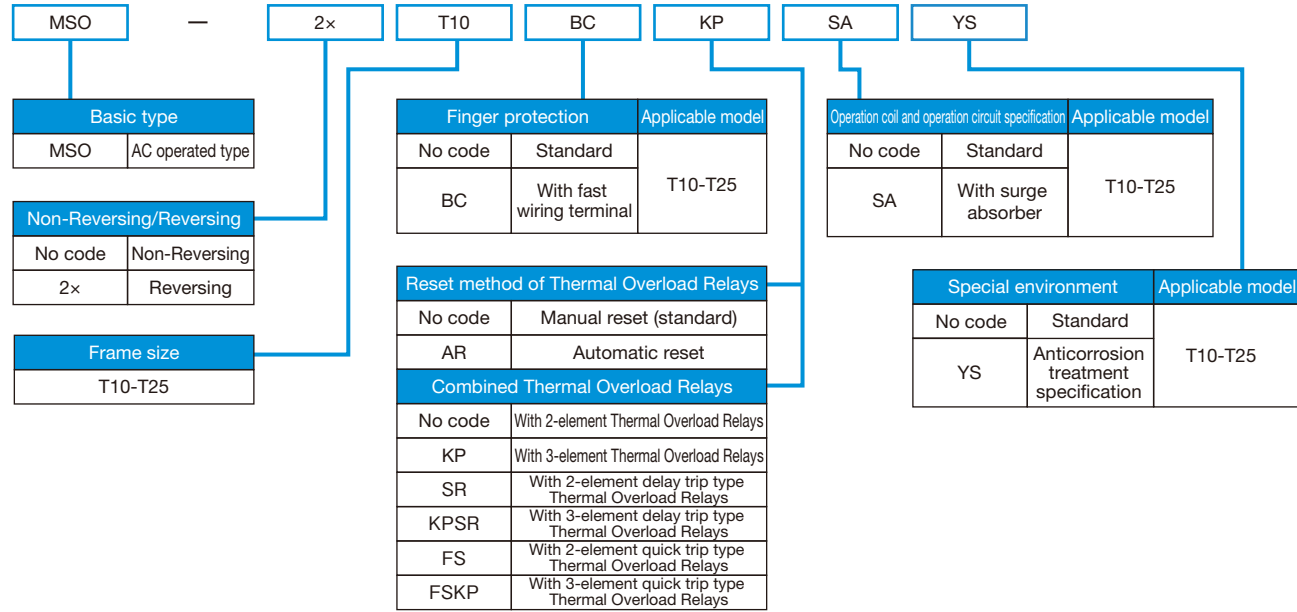
*1. Two conductors of the same size can be connected.

*2. Please use swaging tool which is recommended by JST.

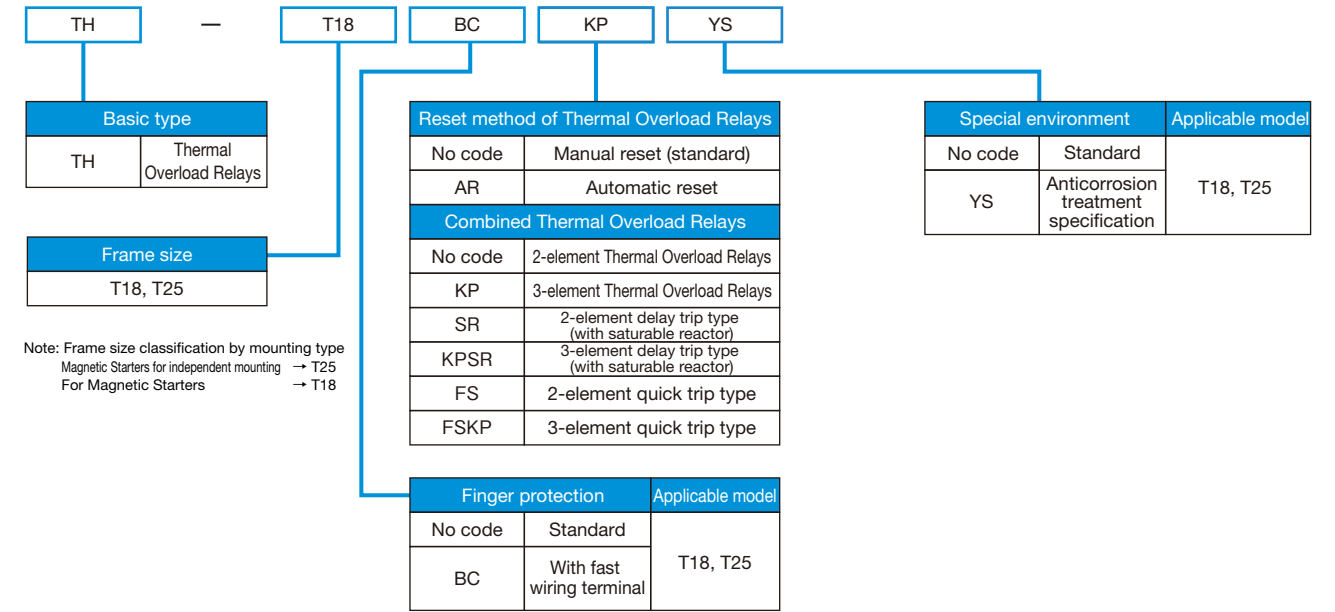
Type Codes

* For the information on type codes for orders, check the note in Order Procedure.

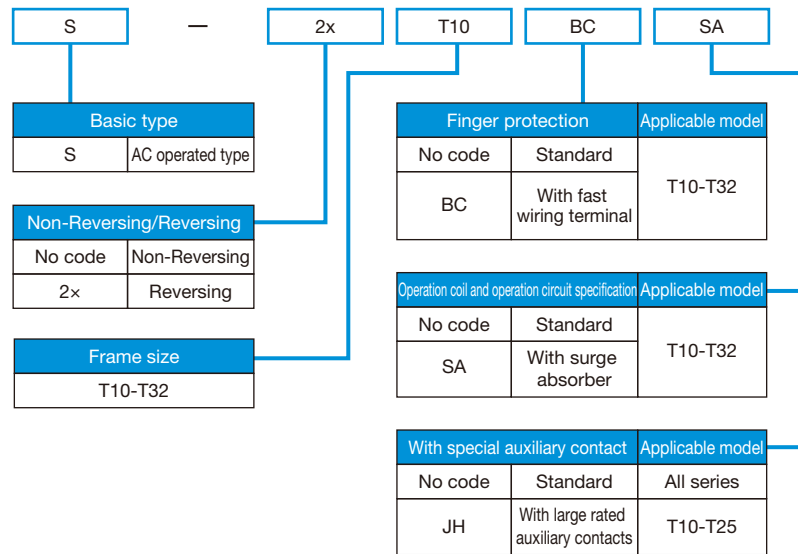
Magnetic Starters



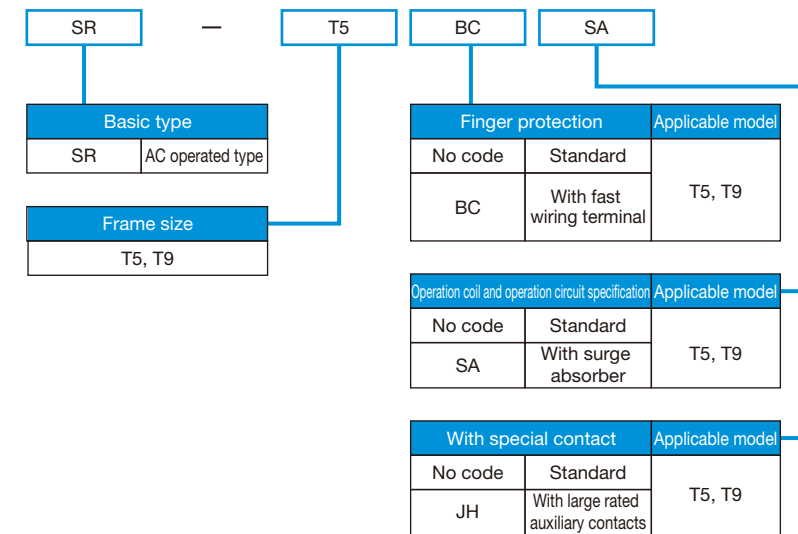
Thermal Overload Relays



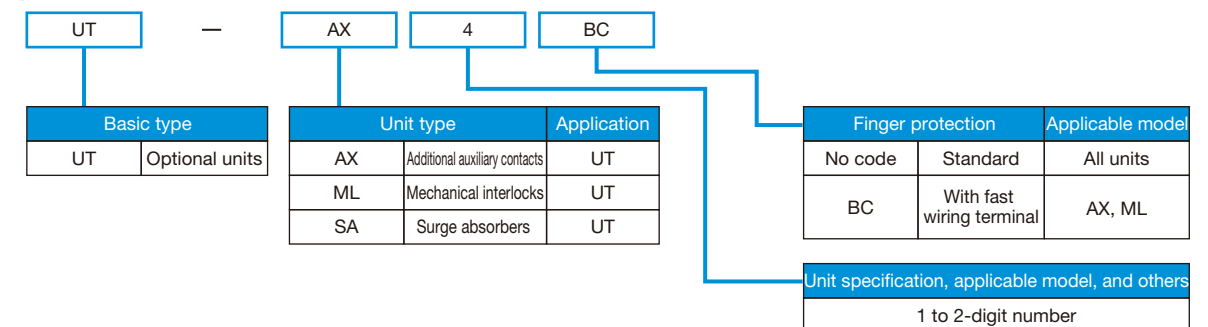
Magnetic Contactors



Contactors Relays



Optional Units

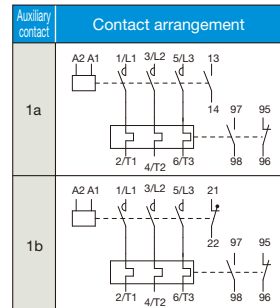
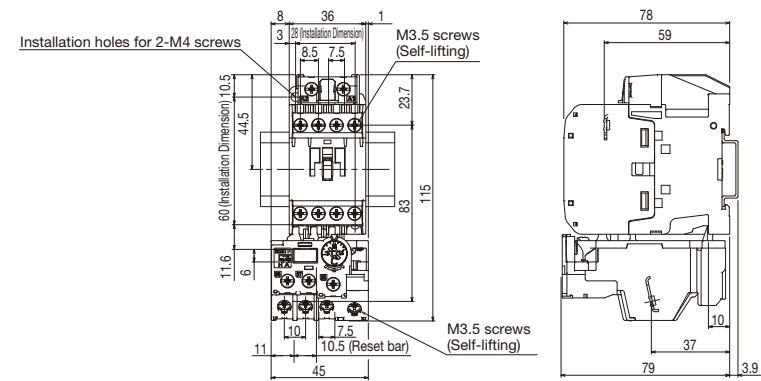


Introduction MS-T Selection and Application Thermal Overload Relays Product Introduction Overseas Standard Type Codes Order Procedure Outline Drawing Warranty and Safety

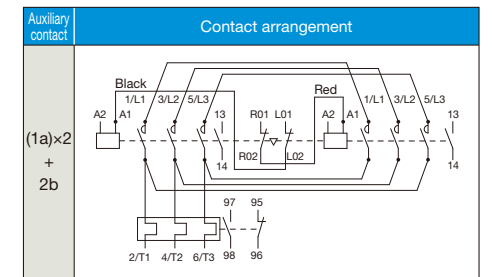
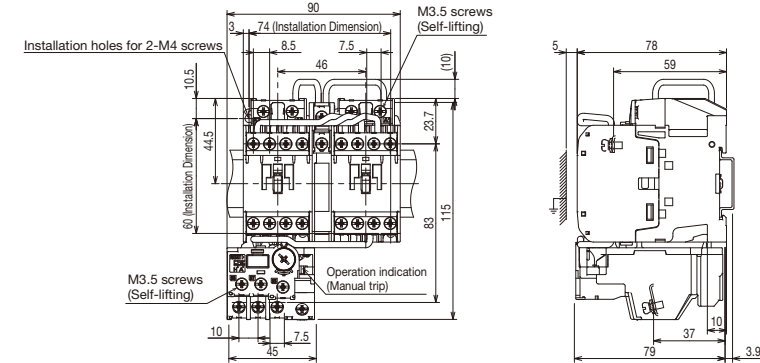
Outline Drawing, Contact Arrangement

Magnetic Starters

MSO-T10KP

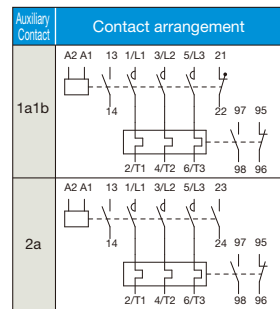
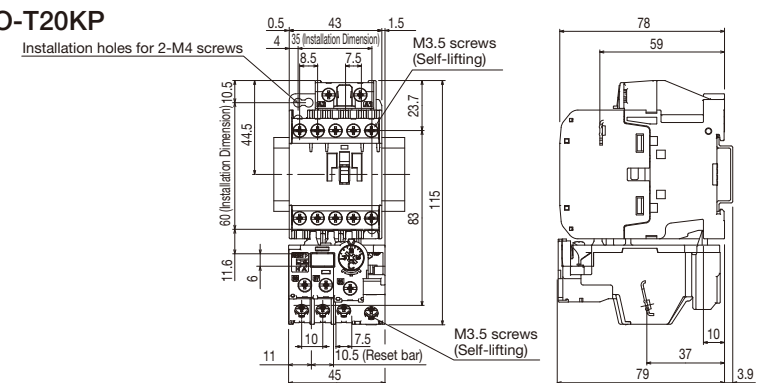


MSO-2XT10KP



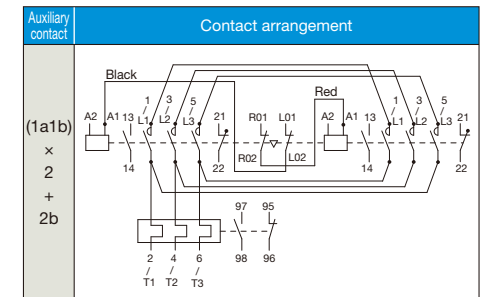
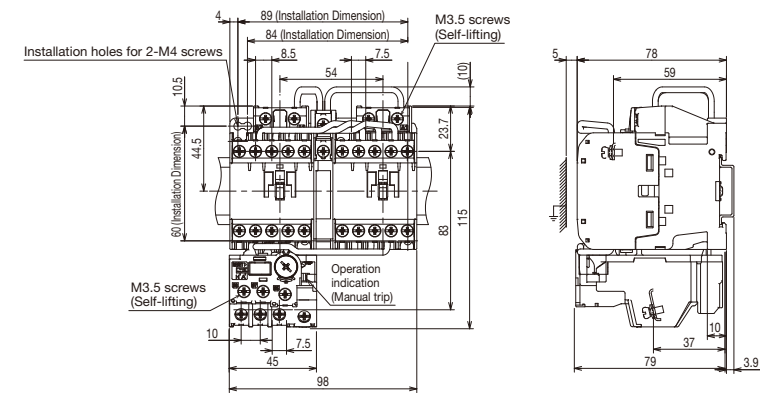
MSO-T12KP

MSO-T20KP



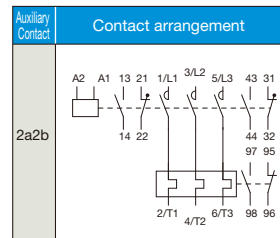
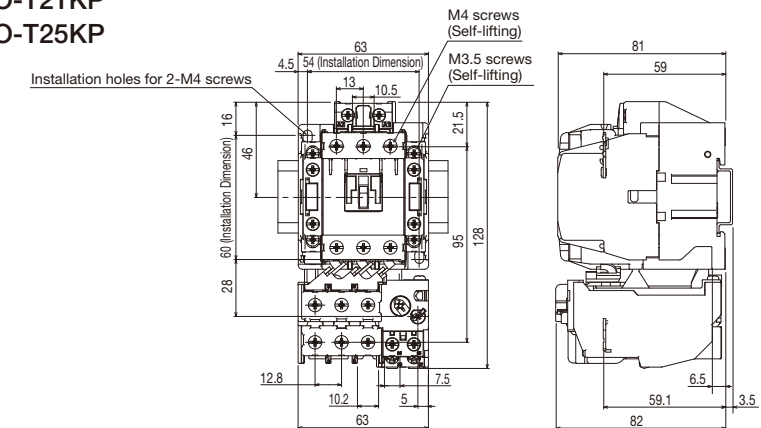
MSO-2XT12KP

MSO-2XT20KP



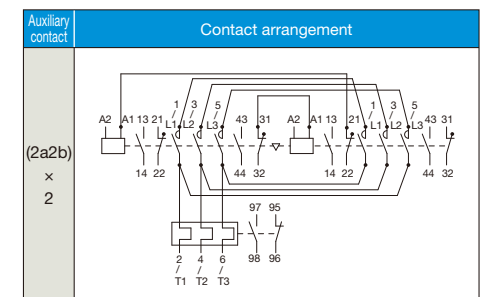
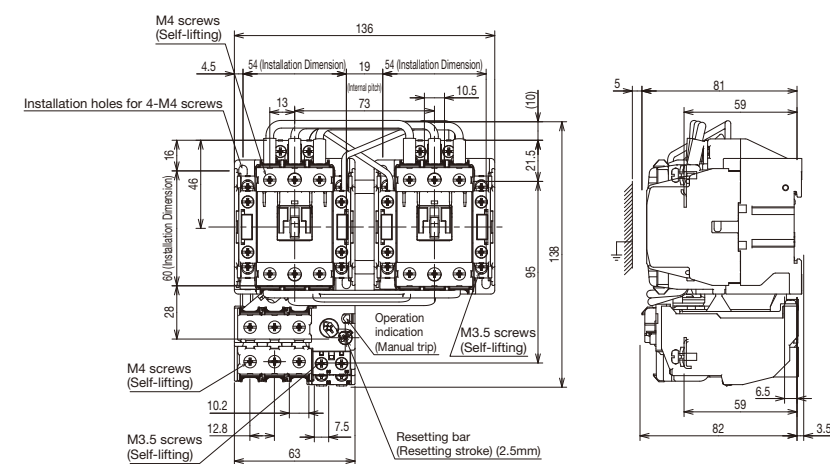
MSO-T21KP

MSO-T25KP



MSO-2XT21KP

MSO-2XT25KP

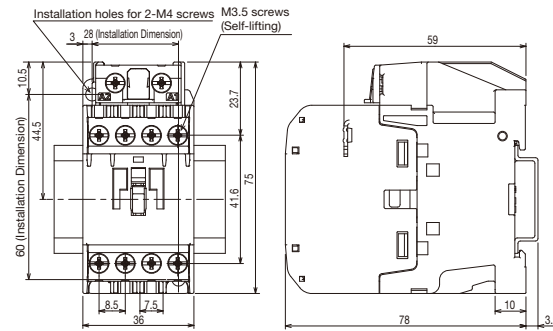


Introduction, Selection and Application, Product Introduction, Overseas Standard, Type Codes, Order Procedure, Outline Drawing, Warranty and Safety

Outline Drawing, Contact Arrangement

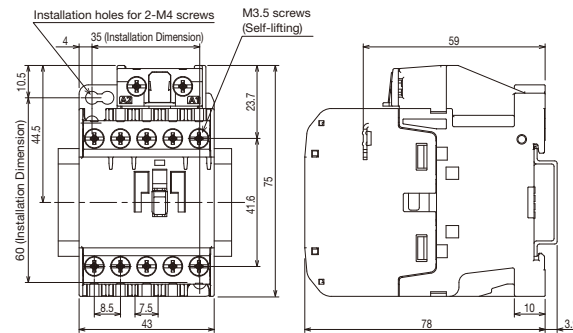
Magnetic Contactors

● S-T10



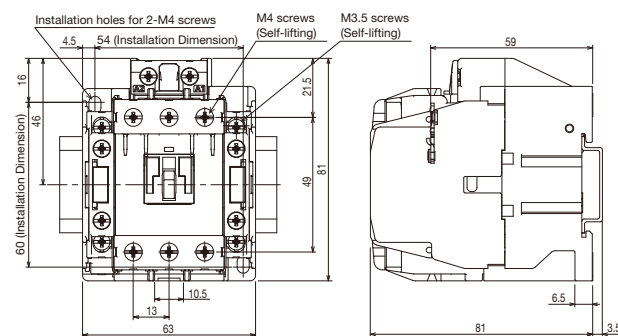
Auxiliary contact	Contact arrangement
1a	
1b	

● S-T12 ● S-T20



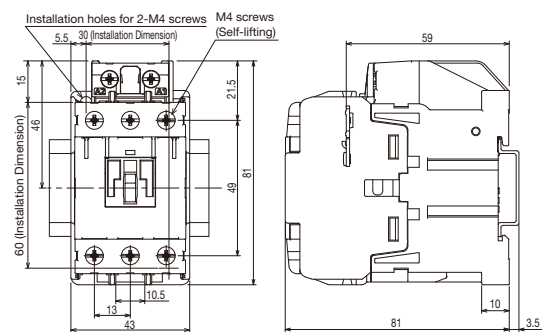
Auxiliary contact	Contact arrangement
1a1b	
2a	

● S-T21 ● S-T25



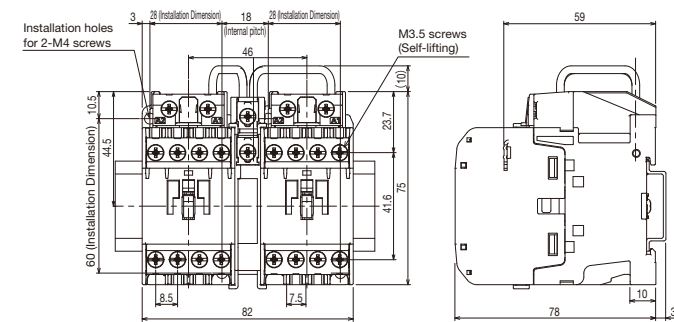
Auxiliary contact	Contact arrangement
2a2b	

● S-T32



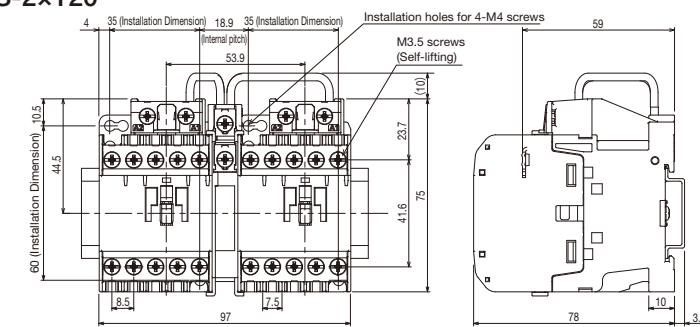
Contact arrangement

● S-2xT10



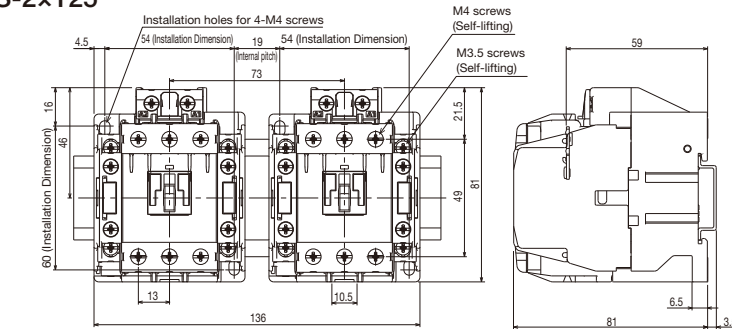
Auxiliary contact	Contact arrangement
1a x 2 + 2b	

● S-2xT12 ● S-2xT20



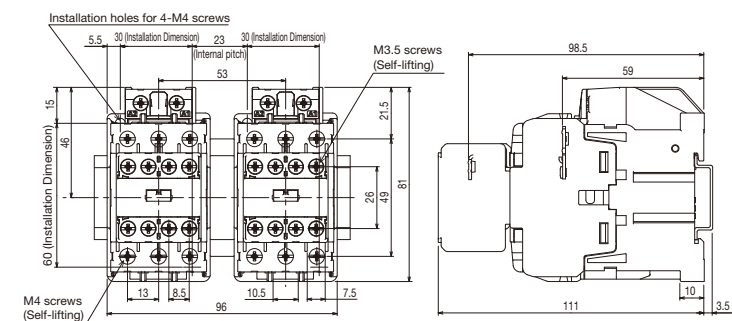
Auxiliary contact	Contact arrangement
1a1b x 2 + 2b	

● S-2xT21 ● S-2xT25



Auxiliary contact	Contact arrangement
2a2b x 2b	

● S-2xT32

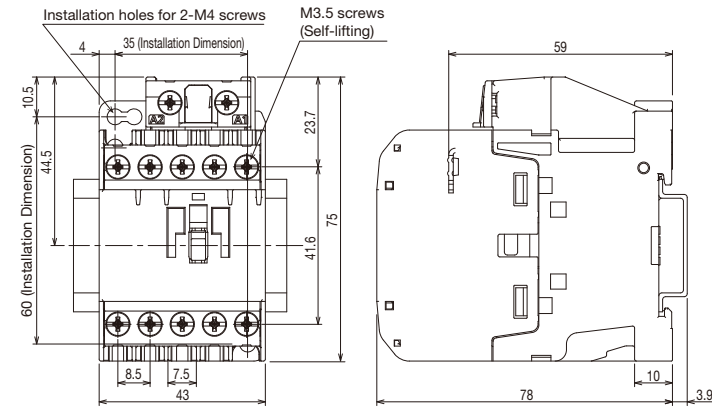


Auxiliary contact	Contact arrangement
2a2b x 2	

Outline Drawing, Contact Arrangement

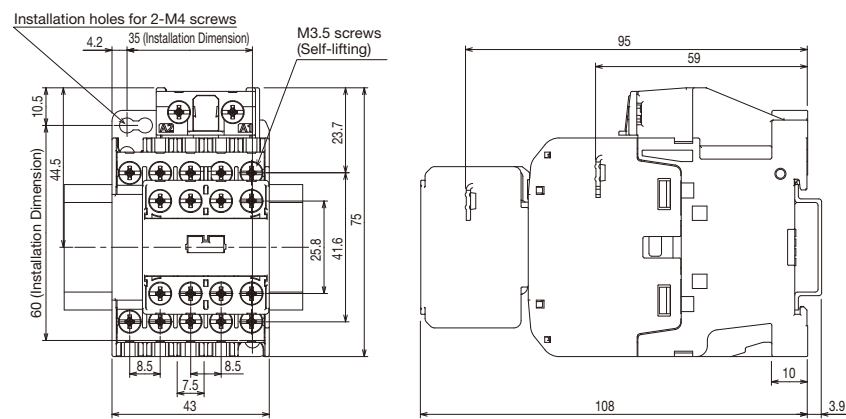
Contactor Relays

SR-T5



For contact arrangement and contact allocation, see Page 22.

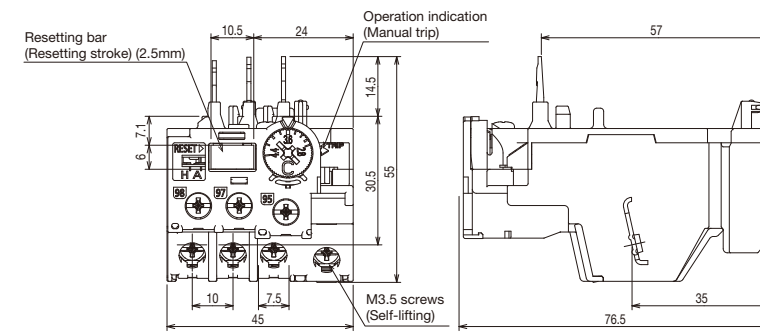
SR-T9



For contact arrangement and contact allocation, see Page 22.

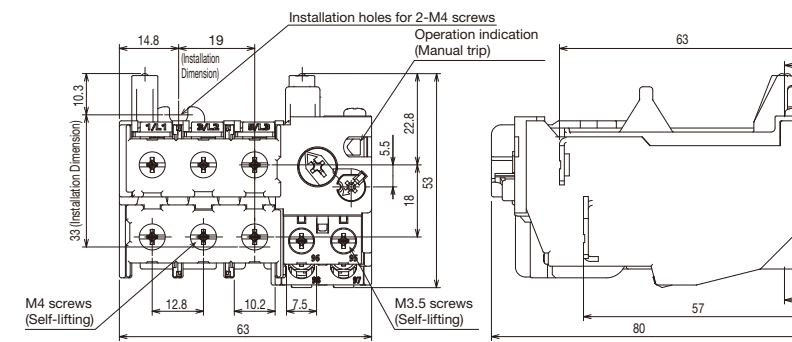
Thermal Overload Relays

TH-T18KP



Auxiliary contact	Contact arrangement
TH-T18KP	

TH-T25KP



Auxiliary contact	Contact arrangement
TH-T25KP	

About Handling

Note

Precautions for Use

- ▲ Be sure to periodically check the Magnetic Starters and apply danger prevention measures on the sequence of important circuits. (The Magnetic Starters contacts may suffer from defective continuity, welding, and burning.)
- ▲ When performing installation, wiring, and maintenance & inspection, be sure to disconnect the Magnetic Starters from the power supply. It may cause electric shock. In addition, the malfunction attributable to vibration, impact, and false wiring may exert serious results (machine malfunction, short-circuiting of power supply, etc.) on the Magnetic Contactors.

Performance

The performance described in this catalog is based on the result of a test conducted under the conditions specified in the Standard (IEC60947-4-1 "Low-voltage switchgear and controller" etc.). If actual use condition is different from this test condition, the user must evaluate the condition (by using an actual device).

Use condition

Although the device can operate without any problem when under the conditions described in this chapter, be careful about the following matters.

- Ambient temperature**
Even when the device is used in accordance with normal usage, deterioration of the insulation will progress. In particular, as the ambient temperature increases, the insulation life is shortened. In general, it is said that every time the ambient temperature increases by 6 to 10°C, the insulation life decreases by half (Arrhenius law). In a case where the ambient temperature is high and voltage exceeding the rated voltage is continuously applied to coil, the coil temperature increases and life may be shortened dramatically.
- Vibration/Impact**
Although vibration of 19.6m/s² and impact of 49m/s² do not cause contact malfunction, even when the vibration and impact are below these values but are applied continuously, fatigue failure may cause some trouble. In particular, please note that the resonance of an installed board may exert a large vibration on the product.

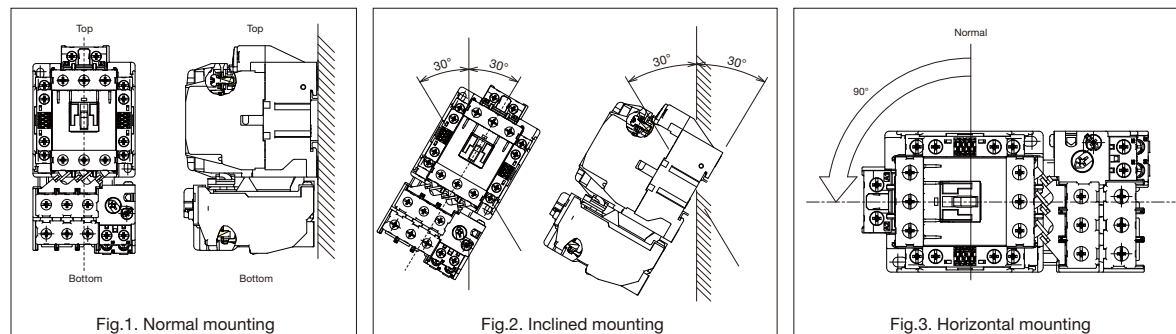
Usage environment

- Ambient temperature** : -10°C to 40°C
(Applied to the outside of the control board) Average daily atmospheric temperature: 35°C (Max.), Average yearly atmospheric temperature: 25°C (Max.)
- Maximum temperature of the inside of the control board** : 55°C However, the ambient temperature of boxed MS type is 40°C (Average yearly temperature of the inside of the control board is 40°C or less.)
Please note that the operating characteristics of the Magnetic Contactors and Thermal Overload Relays may vary with the ambient temperature.
- Ambient temperature** : 45% to 85% RH However, dew condensation and freezing should be avoided.
- Height above sea level** : 2000 m or less
- Vibration** : 10 to 55 Hz, 19.6 m/s² or less
- Impact** : 49 m/s² or less
- Atmosphere** : Inclusion of dust, smoke, corrosive gas, moisture, salt content and the like in the atmosphere should be avoided as much as possible.
Please note that continuing to use the device in a closed condition for a long period may cause contact failure.
Never use the device under an atmosphere that contains flammable gas.
- Storage temperature/Relative humidity** : -30°C to 65°C 45% to 85% RH However, dew condensation and freezing should be avoided.
The storage temperature is ambient temperature during transportation or storage and should be within the usage temperature when starting to use the device.

Mounting

Direct mounting

- The device should be mounted in a dry location low in dust and vibration.
- The normal mounting direction is the direction shown in Fig. 1 on a vertical surface, but mounting the device at an inclination angle of up to 30 degrees in either direction is allowed. (Fig. 2)
- Mounting the device on a floor or ceiling is not allowed. (Mounting the device on a floor or ceiling may affect the continuity performance, operation performance, and durability of the contact.)
- If mounting the device in a horizontal orientation cannot be avoided, be sure to rotate the device by 90 degrees in a counterclockwise direction from the normal mounting direction as shown in figure 3 when mounting it. If the device is mounted in a horizontal orientation, its characteristic is nearly unchanged but mechanical durability may be deteriorated. Horizontal mounting of reversing type is not allowed.



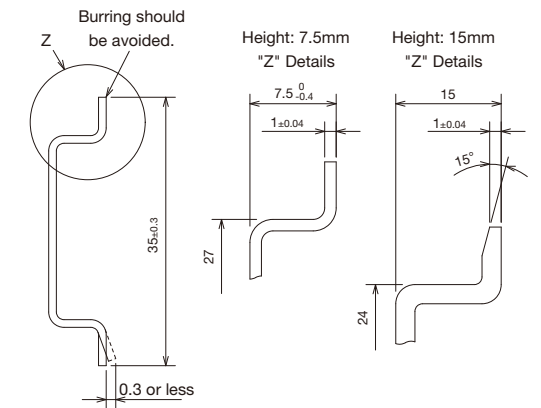
Tightening torque of mounting screw

The device should be mounted by force of tightening torques shown in the right table.

Screw size	Tightening torque of mounting screw N·m
M4	1.2 to 1.9

Mounting of IEC 35mm wide rail

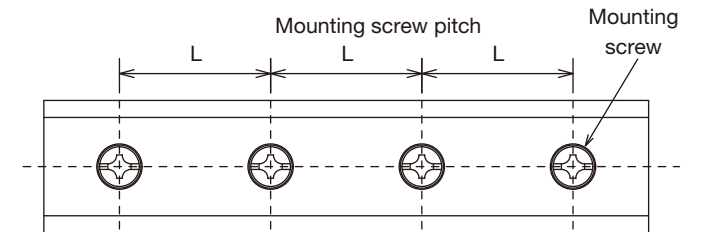
- T10 to T32 types and SR-T type are standard devices allowed to be mounted on an IEC 35mm wide rail.
- DIN, EN, IEC, and JIS C2812 standards-compliant 35mm wide rails come in two types: 7.5mm and 15mm in rail height. Their shapes and dimensions are as shown in the figure below.



Rail	Rail specifications
1	TH35-7.5 Rail width: 35mm, Rail height: 7.5mm
2	TH35-15 Rail width: 35mm, Rail height: 15mm

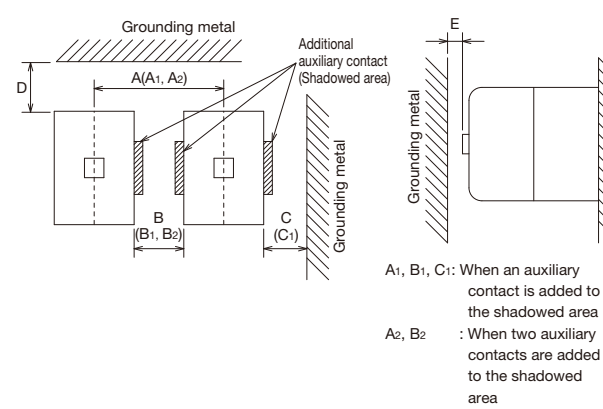
- Maximum pitch of rail mounting screw L(mm)**
When mounting a rail on a surface of the board, be sure to keep the rail mounting screw pitch below the dimension shown in the following table in order to secure sufficient mechanical strength.

Frame	S-T10, T12, T20, T21, T25, T32	SR-T5, T9
TH35-7.5	250	
TH35-15	500	



Mounting space and arc space

When mounting the Magnetic Contactors side by side, be sure to keep the devices isolated by a distance longer than the dimension shown in the following table. Also, the Magnetic Contactors and adjacent grounding metal should be isolated by a distance longer than the dimension shown in the following table. The content described in () is applied when additionally mounting auxiliary contacts. Although an arc space is not required in a position above the Magnetic Contactors, it is recommended to provide a space longer than the E dimension shown in the following table in consideration of the product movement caused by variation in depth dimension of Magnetic Contactors and the vibration produced when turning on or releasing the contactor.



Mounting space and arc space

Frame	Minimum mounting space				Arc Space (Note 1)	Upper mounting space E
	A(A ₁ , A ₂) dimension [mm]	B(B ₁ , B ₂) dimension [mm]	C(C ₁) dimension [mm]	D dimension [mm]		
S-T10	41 (A ₁ = 53, A ₂ = 65)	5 (Note 2) (B ₁ = 17, B ₂ = 29)	10 (C ₁ = 22)	15	0	5 (Note 3)
S-T12	48					
S-T20	48 (A ₁ = 60, A ₂ = 72)					
S-T21	68 (A ₁ = 80, A ₂ = 92)					
S-T25	48 (A ₁ = 60, A ₂ = 72)					
S-T32	48 (A ₁ = 60, A ₂ = 72)					
SR-T5	48 (A ₁ = 60, A ₂ = 72)	5 (Note 2)	10			3
SR-T9	48					

Note 1. The value of this arc space is a value of IEC and JIS Standards-based closed circuit shut-off capacity test.
 Note 2. Although the B dimension of T10 to T32 allows closely-attached mounting, when continuing to apply current to the device or when mounting a product high in open/close frequency and high utilization on the same rail, the device life may be shortened in terms of temperature increase and impact, so please keep the space between the devices over the minimum value shown in the above table as much as possible when mounting them.
 Note 3. E dimension is 3mm when mounting UT-AX2 or UT-AX4 with contactors.

Introduction, Selection and Application, Introduction, Standard, Type Codes, Procedure, Drawing, Safety

About Handling **Note**

Connection

● Applicable electric wire size and tightening torque and terminal dimension of terminal screw

⚠ This may cause overheating or fire. Be sure to properly keep the tightening torque and periodically re-tighten the screw. However, please note that tightening the screw under the status where oil is adhered to the terminal portion may damage the terminal screw even within the existing tightening torque. Electric wires should be properly connected according to the electric wiring diagram. Tightening the terminal screw should be properly conducted within the tightening torque shown in the right table. Insufficient tightening of the terminal screw may cause overheating or cause the electric wire to drop off. Excessive tightening torque may damage the tightening screw. Adhesion of rock paint, thermo label, etc. to electric wire connection or contact may cause heat generation due to defective continuity, so this is very dangerous.

The main circuit terminals of T10 to T32 and TH-T18/T25 types are allowed to be connected via any of single wire, stranded wire, and crimp lug. The main circuit terminals and operating circuit terminals of T10 to T32 and TH-T18/T25 types are self-up terminals, which facilitate wiring.

Model	Terminal dimension and size/type of screw				Applicable electric wire size		Connection conductor thickness (D) [mm]	Applicable crimp lug size (JST Cat No.)		Tightening torque of terminal screw [N·m]		
	Main circuit			Operating circuit	Main circuit	Operating circuit		Main circuit (Note 1)	Main circuit	Operating circuit	Main circuit	Operating circuit
	Dimension of terminal portion A x B x C [mm] (Note 1)	Screw size	Screw type	cross slot screw with pressure plate								
SR-T5, T9	-	-	-	M3.5x7.6	-	-	-	-	-	-	-	
S-T10, T12, T20	7.5x3.7x4.5	M3.5x7.6	cross slot screw with pressure plate	M3.5x7.6	φ 1.6 0.75 to 2.5	φ 1.6 0.75 to 2.5	1.6	1.25-3.5 to 2-3.5 5.5-S3	1.25-3.5 to 2-3.5	0.9 to 1.5	0.9 to 1.5	
S-T21, T25, T32	10.5x5.2x5.5	M4x10.5	cross slot screw with pressure plate	M3.5x7.6	φ 1.6 - 2.6 1.25 to 6	-	3	1.25-4 to 5.5-4	-	1.2 to 1.9	-	
TH-T18 (Load side)	7.5x4x4	M3.5x7.6	cross slot screw with pressure plate	M3.5x7.6	φ 1.6 0.75 to 2.5	φ 1.6	2	1.25-3.5 to 2-3.5 5.5-S3	1.25-3.5 to 2-3.5	0.9 to 1.5	0.9 to 1.5	
TH-T25 (Power side / Load side)	10.2x6.8x5/ 10.2x5.7x5	M4x10.5/ M4x10.5	cross slot screw with pressure plate	M3.5x7.6	φ 1.6 - 2.6 1.25 to 6	0.75 to 2.5	2.5	1.25-4 to 5.5-4	-	1.2 to 1.9	-	

Note 1: The dimension of the main circuit terminal is a dimension for board conductor wiring. (See the right diagram) The board conductor thickness (D dimension) must be below the allowable connection conductor thickness stated above because of the length of the terminal screw. In case of wiring with two boards used, the total value of two boards must be below the value (D dimension) shown in the table.

Note 2: In each terminal, two wires or two crimp lugs are allowed to be connected.

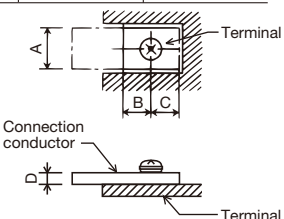
Note 3: The cross slot screws with pressure plate of T Series and those of N or other Series are same in size but different in pressure plate dimension, so please avoid the mixed use of such screws. This may break the insulation barrier or make the wire likely to fall out.

Note 4: When using IEC60529-based finger safe specification, be sure to use an insulation tube-attached crimp lug.

Note 5: Tightening the 3 terminal screw excessively without wiring may break the screw and consequently disable the tightening, so please avoid such excessive tightening.

Note 6: Operational circuits are coil terminals of magnetic contactors and control circuit terminals of Thermal Overload Relays.

Note 7: Please use swaging tool which is recommended by JST.

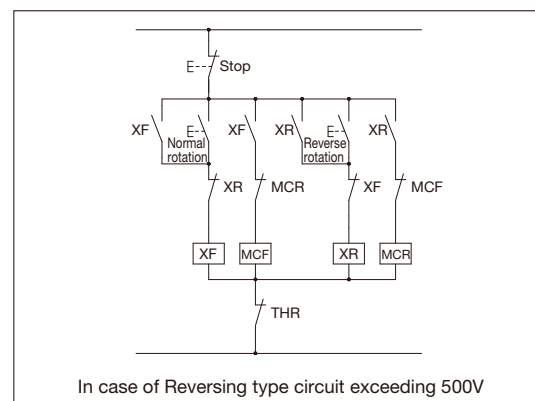


● Application to a circuit exceeding 380V

- When applying MSO, S-T10, T12, T20, SR-T5, T9, and TH-T18 types to a circuit exceeding 380V to set a crimp lug wiring, please use an insulating tube-attached crimp lug.
- When applying such parts to a Reversing type circuit exceeding 500V, please use an SR-T type Contactor Relays (XF, XR) as shown in the right figure to set the switching time allowance.

● Wiring direction

Although the upper terminal side is usually set to the power supply side when wiring, the lower terminal side may be set to the power supply side when it is unavoidable due to some reason of the board wiring. However, the mounting direction must be in accordance with the description on Page 44.



Operating circuit

- ⚠ Applying a low voltage that does not operate the Magnetic Contactors to the operating circuit may cause overcurrent to the coil, which may cause the coil to be burned in a short time.
- ⚠ If the operating circuit wiring is too long, when the coil's instantaneous current flows, the wiring impedance may cause a reduction in the coil voltage, so that the operating circuit may fail to be activated. And, the stray capacitance of the wired line may cause the coil's excitation not to be released even when releasing the excitation.

● Power supply voltage variation range and voltage drop of the operating circuit

- Operating voltage**
When the rated voltage and frequency are applied to the coil at an ambient temperature of 40°C (Inside temperature of the board: 55°C), the device operates without any problem at 85 to 110% of the rated voltage of the coil after the temperature increases and becomes saturated.
- Voltage drop**
Even when the coil is excited at the rated voltage and the voltage drops to 65% of the rated voltage (first 1 to 2 cycles; however in case of 0.1 second or more, 70%) when the main contact is contacted, contact welding does not occur at a current ten times the rated operational current, allowing the device to operate without any problem.
- Voltage/Frequency and coil rating of operating circuit**
The voltage/frequency of the operating circuit and the same of the operation coil must be matched. Applying a voltage exceeding 100% of the rated voltage to the operating circuit when using the coil may acceleratedly deteriorate the coil insulation and consequently reduce mechanical durability, so set the coil's average voltage to 95 to 100% of the rated voltage when using the coil.

Application to special environment

⚠ Please note that the operating characteristics of the magnetic contactor and thermal overload relay may vary with the ambient temperature.

● High temperature

When using Magnetic Starters or Magnetic Contactors at high ambient temperature, the temperature may mainly affect the insulation life (continuous electric conduction life) of the operation coil and the aging variation of the molding component. MSO and S-T type without a box are standard products available even at the inside temperature of 55°C.

● Low temperature

Although the Magnetic Contactors may be transported to a cold region or used in such a cold region or under cold conditions such as those found in a refrigerator with the contactor incorporated in a switchboard, the S-T type Magnetic Contactors is applicable as a standard product. Also, MSO-T type Magnetic Starters and TH-T type Thermal Overload Relays of low temperature specification are not manufactured. Applicable temperature range of low-temperature-based products: -50 to 55°C (Operating temperature) -60 to 65°C (Storage temperature)

● Corrosive gas

S-T type Magnetic Contactors is of corrosion resistance-increased specification as a standard product. Corrosive gases that exist in an environment with an Magnetic Starters or Magnetic Contactors used are gases such as sulfurous acid (SO₂), hydrogen sulfide (H₂S), chlorine (Cl₂), and ammonia (NH₃), and conductive portions can be protected by plating a metal resistant to such gases on the portion. However, because there is no adequate corrosion prevention method for the contact, such gases may increase the contact resistance, resulted in increased temperature. Additionally, if the environment contains some corrosive gas but is under dry condition, this may delay the progression of corrosion, so using the switchboard with the inside kept as dry as possible is also one of the corrosion prevention methods. In the Magnetic Starters and Thermal Overload Relays, corrosion-prevented products (MSO-T□YS, TH-T□YS) of the specification with increased corrosion resistance to such corrosive gases are also manufactured.

● Dust

Magnetic Starters and Magnetic Contactors used in an iron foundry, construction site, or powder conveying machine tend to be subject to a relatively large amount of dust. When using the control board in such locations, the board must be dust-prevention-structured. Also, using the board under hermetically-sealed condition for a long period may cause contact failure.

● Export of the products to tropical regions

The environment of exported products which pass through tropical regions tends to be of high temperature and high humidity, and humidity is the environmental factor that affects the Magnetic Starters and Magnetic Contactors most severely. Humidity is the biggest rust-generating factor and the exported products must be in a structure resistant to humidity. Therefore, it is recommended to put a moisture absorbent (Silica gel) in an amount of 3kg or more per m³; so as to lower the humidity.

[Notes for adopting the product]

Before purchasing and using our products, please confirm the following product warranty.

Period and scope of warranty

●Warranty period

- (1) The warranty period for our products shall be one year after purchase or delivery to the designated location. However the maximum warranty period shall be 18 months after production, in consideration that the maximum length of distribution period is to be 6 months after shipping.
- (2) This warranty period may not apply in the case where the use environment, use conditions, or the number of open/close operation times specifically impact the lives of products.

●Scope of warranty

- (1) When any failure occurs during the above warranty period which is clearly our responsibility, we will replace or repair the failed portion of the product free of charge at the location of purchase or delivery.
Note that the "failure" mentioned here shall not include such items as scratches and discoloration which do not affect performance.
- (2) In the following cases, even during the warranty period, charged repair services shall be applied.
 - ① Failures caused by inappropriate conditions, environment, handling, and uses other than those specified in catalogs, instruction manuals or specifications.
 - ② Failures caused by inappropriate installation.
 - ③ Failures caused by the design of customer's equipment or software.
 - ④ Failures caused by the customer tampering with our products such as reworks without our authorization.
 - ⑤ Failures caused by the customer failing to correctly maintain or replace components such as spare parts, as specified by documents such as instruction manuals.
 - ⑥ Failures caused by uses of the product other than ordinarily intended.
 - ⑦ Failures caused by force majeure such as fire and abnormal voltage accidents, and natural disasters such as earthquake, wind and flood.
 - ⑧ Failures caused by reasons that were unforeseeable by the level of technology at the time of shipment.
- (3) The warranty that is mentioned here shall mean warranty of the unit of delivery, and any losses induced by the failures of delivered products shall be excluded from our warranty.

●Failure diagnosis

In principle, primary failure diagnosis shall be conducted by the customer. However this job, if requested by the customer, can be performed by us or our service company with charge. In this case, a service fee shall be charged to the customer in accordance with our price list.

Recommendation for renewal due to life

Our Magnetic Starters and Magnetic Contactors with contacts and mechanical parts have certain wear life in line with the number of switching operations, while our coil wires and electronic parts have aging degradation life influenced by the use environment and use conditions.

Regarding the use of our Magnetic Starters and Magnetic contactors, we recommend customers to renew the products every 10 years as a rule, provided that the products are used in

line with the number of open/close operations specified by this catalog or the instruction manual.

We also recommend to renew devices other than the Magnetic Starters and Magnetic Contactors described in this catalog every 10 years as a rule.

Exemption from warranty related to opportunity or secondary losses.

Regardless of in or out of warranty period, loss of opportunity and lost earnings at the customer side caused by the failures of our products, any damages caused by special situation regardless of our foreseeability, secondary losses, accident compensation, damages on anything other than our products, compensation to jobs including replacement work, readjustment of field machinery equipment, startup test run, etc. performed by customers, and damages caused by any reasons for which we are not held responsible, shall be outside the scope of our compensation.

Exemption from warranty related to opportunity or secondary losses.

- (1) The contents of products shown in this catalog are for your selection of models. When you actually use the product, read the "Instruction Manual" carefully beforehand and use correctly.
Please note that the external view or specifications that should not affect the model selection can change without preannouncement.
- (2) When using a product listed in this catalog, you are required to accept that your use should not lead to any serious accident if by any chance the product develops any failures or errors, and, in the event any failure or error occurs, backup or fail-safe functions are in place outside the device by the system.
- (3) The products described in this catalog are designed and manufactured as general products to be used for general industrial fields. For this reason, the products described in this catalog should not be used for the applications requiring special quality assurance systems, such as serious public uses as atomic power plants and other power plants owned by power companies, railway applications and government and public office applications.
Note, however, that the products shall be applicable to such uses if the use is limited and the customer agrees not to require specially high quality.
Furthermore, when the customer is investigating application for the uses where serious impact is foreseen to the human body and assets and therefore high reliability for security and control system is required, such as aviation, medical services, railways, combustion and fuel equipment, manned transportation equipment, entertainment facilities and security machines, please contact our representatives and discuss any necessary agreement or specifications.

Supply period of spare goods after production stop

- (1) For the discontinuation of production, we will announce in such media as "Sales and Service" paper created by us.

[Notes for security related issues]

- Before performing the installation, wiring works, operation and maintenance/check for the products described in this catalog, make sure to read the "Instruction Manual" or "Notes for Use" attached to the product for correct usage.
- In spite of our continued efforts to enhance the quality and reliability of our product, the product can fail. The products described in this catalog can bring about serious results, such as malfunctions of machinery, short circuit at power supply, and catching fire), by the malfunction caused by vibration, physical shock and improper wiring. Pay special attention to avoid any secondary accidents such as injuries and fire, as the result of failures or malfunctions.
- When you find any questions or you need more details after reading this catalog, please contact your dealer or our company.

[For using the products described in this catalog, please observe the following items.]

Danger

- Make sure to disconnect the power before you perform installation, removal, wiring works, or maintenance/checking. There is a risk of receiving an electric shock or occurrence of a malfunction.
- When the product is energized, avoid touching or coming near the product, especially the terminals having electricity. There is a risk of receiving an electric shock or burn injury.

Notes

- Use the product in the use environment described in this catalog and Instruction Manual. Do not install the product in any abnormal environment with high temperature, high humidity, dust, corrosive gas or excessive vibration/shock. There is a risk of catching fire, malfunctions, electric shock or failure.
- Avoid applying shocks by dropping or falling the product during transportation and unpacking. This will lead to breakage or failure of products.
- Do not use the product when it has received damage during transportation, installation or wiring. This can cause fire or malfunctions.
- Make sure that only technicians qualified for electric work or wiring should perform installation, wiring works and maintenance/checking of the product.
- Make sure that no foreign objects such as dust, iron powder and wire chips enter the product during installation and wiring works. There is a risk of contact failures and malfunctions leading to damage or fire at the load.
- When you use mounting screws of the wrong size or use a small number of screws than specified, or when the mounting to the rail of IEC 35mm width is defective, there is a risk that the product may fall.
- When you apply wiring works, be sure to use the wire size that suits the applied voltage, flow current and inrush current, and to fasten wires with the correct torque as specified in this catalog or the instruction manual. Defective wiring can cause fires, accidents and failures.
- To terminal screws and mounting screws, apply the torque as we specify for tightening, and regularly apply retorquing. When the tightening torque is too large, the work can damage terminal screws or mounting screws. When the terminal screws or mounting screws slacken or are broken, they can cause overheating or fire, or the body can fall off to create serious accidents.
- Confirm the rated values and specifications, and make sure to use a product that meets the requirements. When you use a product exceeding the rated/specified values, it may cause insulation breakdown leading to earth fault or short circuit accidents, or create the cause of fire by overheating or breakdown due to inability to shutdown.
- When a product described in this catalog is to be used in a facility where a failure can lead to injury to the human body or serious damage to earnings, make sure to install some safety mechanism.
- Apply regular checks to the product and use safety measures on the sequence to the critical circuits. The contacts of Contactors and Magnetic Starters can develop defective conduction, welding or burnout.
- Contactors and Magnetic Starters can create welding of contacts disabling the opening, due to such causes as switching operation for excessive current, abnormal wearing of contacts, chattering at operational instruction contacts, aging degradation and product life. Also the contacts may fail to open due to unexpected mechanical constraints other than contact adhesion. Since the disability of contact to open can cause the machine to go out of control, secure safety by assuming the mechanical constraints or contact welding leading to inability of open/close operations. There remains a risk of fire even when an overload protective device (Thermal Overload Relays) is provided.
- The example connection described in this catalog only shows a typical one to run a system. For the protection of each device and safety measures, the customer is requested to consider the connection for each system.
- Do not apply reworks to the product or disassemble the product. These may cause failures.
- When you dispose of the products, treat them as industrial waste products.

[Related Products]

PLC | MELSEC-Q Series Universal Model



Introducing the high-speed QCPU (QnUDVCP) for faster processing of large data volumes.

- ◎Realize high-speed, high-accuracy machine control with various iQ Platform compatible controllers and multiple CPUs.
- ◎Easily connect to GOTs and Programming tools using built-in Ethernet port.
- ◎25 models from 10 k step small capacity to 1000 k step large capacity, are available.
- ◎Seamless communication and flexible integration at any network level.

Product Specifications

Program capacity	10k steps to 1000k steps
Number of I/O points [X/Y], number of I/O device points [X/Y]	256 points to 4096 points/8192 points
Basic instruction processing speed (LD instruction)	120ns to 1.9ns
External connection interface	USB (all models equipped), Ethernet, RS-232, memory card, extended SRAM cassette
Function module	I/O, analog, high-speed counter, positioning, simple motion, temperature input, temperature control, network module
Module extension style	Building block type
Network	Ethernet, CC-Link IE controller network, CC-Link IE field network, CC-Link, CC-Link/LT, MELSECNET/H, SSCNET III (/H), AnyWire, RS-232, RS-422

HMI | Graphic Operation Terminal GOT2000 Series GT27 Model



To the top of HMIs with further user-friendly, satisfactory standard features.

- ◎Comfortable screen operation even if high-load processing (e.g. logging, device data transfer) is running. (Monitoring performance is twice faster than GT16)
- ◎Actual usable space without using a SD card is expanded to 128MB for more flexible screen design.
- ◎Multi-touch features, two-point press, and scroll operations for more user-friendliness.
- ◎Outline font and PNG images for clear, beautiful screen display.

Product Specifications

Screen size	12.1", 10.4", 8.4" (15" coming soon)
Resolution	SVGA, VGA (XGA coming soon)
Intensity adjustment	32-step adjustment
Touch panel type	Analog resistive film
Built-in interface	RS-232, RS-422/485, Ethernet, USB, SD card
Applicable software	GT Works3
Input power supply voltage	100 to 240VAC (+10%, -15%), 24VDC (+25%, -20%)

Inverter | FREQROL-A700 Series



High-function, high-performance inverter

- ◎High-accuracy, high-response speed control using real sensor-less vector control is possible with a general-purpose inverter having no PLG (encoder) (200% torque/0.3 Hz (3.7 K or less)).
- ◎Full-scale vector control is possible when used in combination with a motor with PLG (when using option).
- ◎The built-in noise filter (EMC filter) helps reduce noise generated from the inverter.
- ◎This series supports IPM motor operation. Use auto tuning to operate with the optimum motor characteristics.

Product Specifications

Inverter capacity	200V class: 0.4kW to 90kW, 400V class: 0.4kW to 500kW
Control method	IPM control, Soft-PWM control, high-carrier frequency PWM control (Select from V/F, advanced flux vector, or real sensor-less vector), vector control (when using options)
Output frequency range	0.2 to 400Hz (real sensor-less vector, upper frequency during vector control is 120Hz)
PM offline auto tuning	200V class: 0.4K to 1.5K (150%3%ED), 2.2K/3.7K (100%3%ED) When using the MM-CF Series, the motor constants, etc., are automatically measured for operation with the optimum motor characteristics (IPM motors other than the MM-CF Series, and other IPM motor brands are also supported)
Starting torque	200% 0.3Hz (3.7K or less), 150% 0.3Hz (5.5K or more) (when using real sensor-less vector, vector control)

AC Servo | Mitsubishi General-Purpose AC Servo MELSERVO-J4 Series



Industry-leading level of high performance servo

- ◎Industry-leading level of basic performance: Speed frequency response (2.5kHz), 4,000,000 (4,194,304p/rev) encoder
- ◎Advanced one-touch tuning function achieves the one-touch adjustment of advanced vibration suppression control II, etc.
- ◎Equipped with large capacity drive recorder and machine diagnosis function for easy maintenance.
- ◎2-axis and 3-axis servo amplifiers are available for energy-conservative, space-saving, and low-cost machines.

Product Specifications

Power supply specifications	1-phase/3-phase 200V AC, 3-phase 400V AC
Command interface	SSCNET III/H, SSCNET III (compatible in J3 compatibility mode), CC-Link IE Field Network interface with Motion, pulse train, analog
Control mode	Position/Speed/Torque/Fully closed loop
Speed frequency response	2.5kHz
Tuning function	Advanced one-touch tuning, advanced vibration suppression control II, robust filter, etc.
Safety function	STO, SS1
Compatible servo motor	SS2, S0S, SLS, SBC, SSM (compatible when combined with motion controller) Rotary servo motor (rated output: 0.05 to 22kW), linear servo motor (continuous thrust 50 to 3000N), direct drive motor (rated torque: 2 to 240N·m)

EDM | Wire EDM MV1200R



Next-generation Innovations of our best selling Performance Machine.

- ◎Total running cost reduced up to 42%, which is accounted for 90% by filter, ion exchange resin and power consumption.
- ◎Improved productivity by an innovative automatic wire threading.
- ◎Faster machining is realized with improved power-supply performance.
(Rz3. 5 μm/Ra0. 45 μm with 3cuts) (Rz2. 0 μm/Ra0. 28 μm with 4cuts)

Product Specifications

Model	MV1200R
Machining travel (X×Y×Z)[mm] (in)	400(15.7)×300(11.8)×220(8.7)(XY axis OPT-drive specifications)
Machining travel (U×V)[mm] (in)	±60(2.4)×±60(2.4)(OPT-drive specifications)
Max. taper angle [°]	15° (maximum 200mm)(7.9°)
Max. workpiece dimensions [mm] (in)	810(31.9)×700(27.6)×215(8.5)
Wire diameter [mm] (in)	0.1(.004) to 0.3(.012)*1
Dielectric fluid	Water
Footprint (W×D)[mm] (in)	2025(79.7)×2760(108.7)

*1: Φ0.2(0.08) DD guides and Φ1.5(0.06) jet nozzle are standard equipment.

Robot | MELFA F Series



High speed, high precision and high reliability industrial robot

- ◎Compact body and slim arm design, allowing operating area to be expanded and load capacity increased.
- ◎The fastest in its class using high performance motors and unique driver control technology.
- ◎Improved flexibility for robot layout design considerations.
- ◎Optimal motor control tuning set automatically based on operating position, posture, and load conditions.

Product Specifications

Degrees of freedom	Vertical:6 Horizontal:4
Installation	Vertical:Floor-mount, ceiling mount, wall mount (Range of motion for J1 is limited) Horizontal:Floor-mount
Maximum load capacity	Vertical:2-20kg Horizontal:3-20kg
Maximum reach radius	Vertical:504-1503mm Horizontal:350-1,000mm